

67" ATLIN ACRYLIC ROLL TOP TUB

Cat. No.
ATR67



L: 67"
W: 29-1/2"
H: 24-1/4" (from floor)
18" (from bottom of tub)

Water Depth: 11-1/2" to OF

Features:

- ▶ Outside is textured fiberglass reinforced polyester coated with two-part epoxy
- ▶ 3-3/8" centers in tub wall with continuous rolled rim
- ▶ Pre-drilled overflow hole
- ▶ Cast aluminum ball and claw feet
- ▶ Feet are attached and leveled before shipment
- ▶ Tub is thoroughly inspected before shipment



Tub Color

WH White

Foot Finishes

- | | |
|---------------------------|------------------------------|
| BQ Bisque | BN Brushed Nickel |
| BL Black | ORB Oil Rubbed Bronze |
| PB Polished Brass | PN Polished Nickel |
| CP Polished Chrome | WH White |

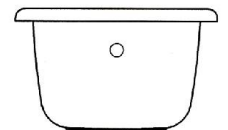
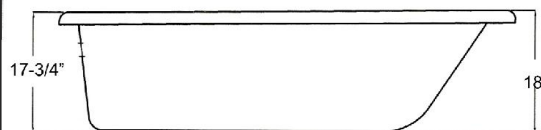
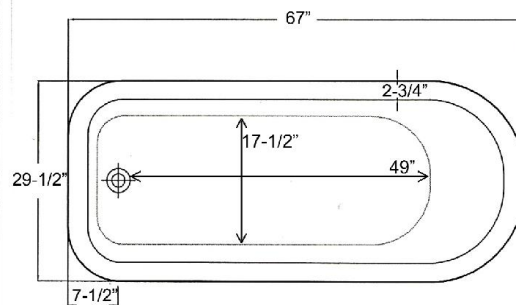
Custom Colors Available (inside of tub is always white enamel):
Painted bathtubs are considered "special order" and are not returnable
\$160 Bisque or Black \$250 Designer Color

The following is recommended for ATR67 tubs:

- Tub wall-mounted faucets: #4022, 4025 or 4035
- Double offset bath supplies: part #5576
- Leg tub drain: part #5599

**Do Not Use with rigid, freestanding
supplies.**

Gallon Capacity: 50
Shipping Weight: 150 lbs.
Empty Weight: 100 lbs.
Filled Weight: 518 lbs.



Dimensions of fixture are nominal and specifications subject to change without notice.

TUB WALL-MOUNTED FAUCET WITH HAND SHOWER

Cat. No.

4022



Features:

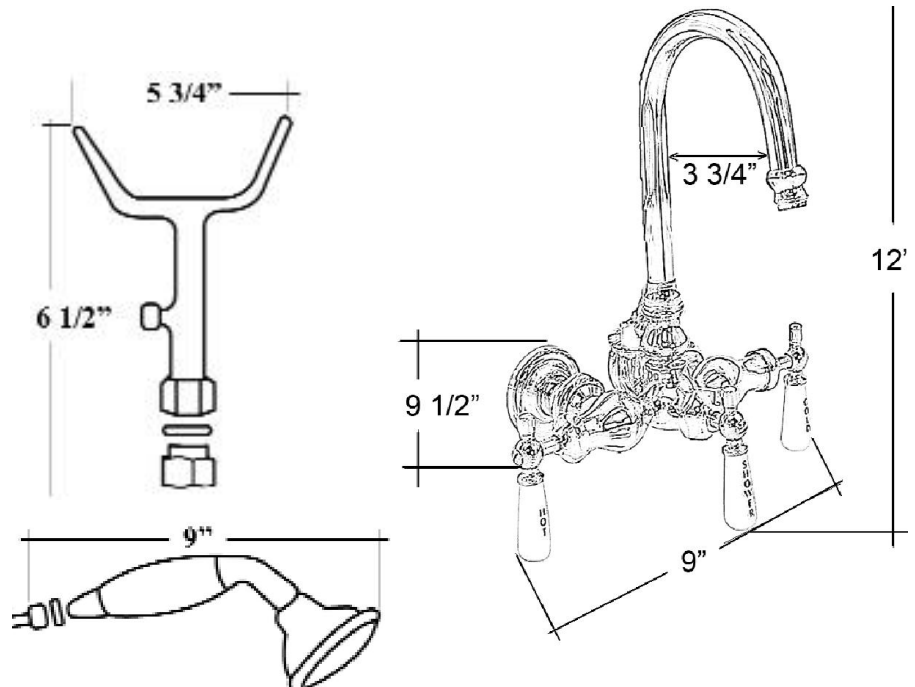
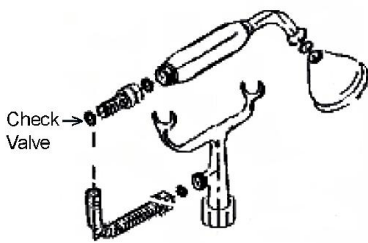
- ▶ Code gooseneck spout
- ▶ Telephone style handheld shower with cradle and 59" hose
- ▶ Backflow preventor in handshower
- ▶ ¼ turn ceramic disc cartridges
- ▶ 3-3/8" centers for tub wall mount installation
- ▶ Flow rate for spout is 3.68 GPM
- ▶ Flow rate for handshower is 2.5 GPM
- ▶ To be used with double offset bath supplies: part #5576
- ▶ Can be used with freestanding bath supplies Part #4502



W: 9"
D: 9-1/2"
H: 12"

Finishes:

BP	Polished Brass	PN	Polished Nickel
CP	Polished Chrome	ORB	Oil Rubbed Bronze
SN	Brushed Nickel		



Dimensions are nominal and may vary. Dimensions and specifications subject to change without notice.

DOUBLE OFFSET BATH SUPPLIES

Cat.No.
5576



H: 24"

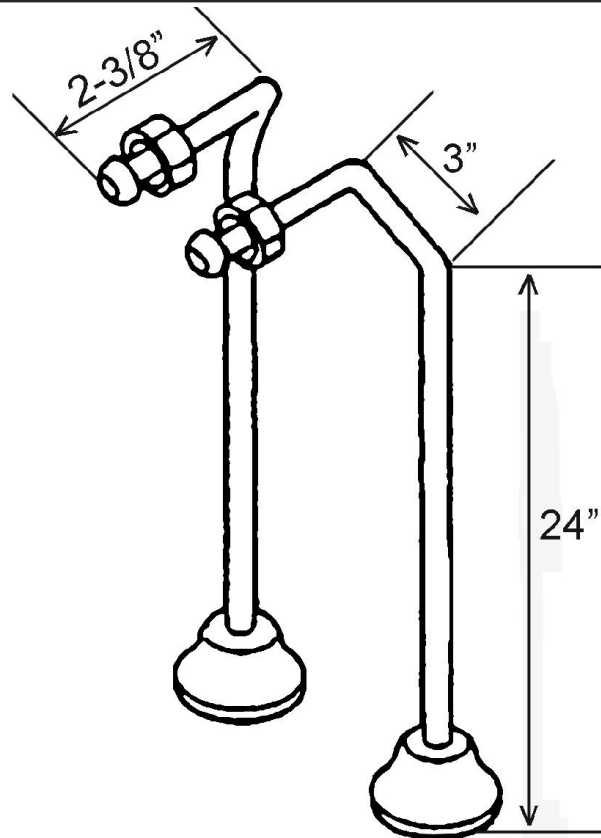
OD: 1/2"

Features:

- ▶ For use with faucets mounted to the tub wall
- ▶ No Stops
- ▶ 1/2" Compression inlet
- ▶ 3/4" Compression outlet
- ▶ 0.500" Outer diameter
- ▶ 0.440" Inner diameter
- ▶ 0.030" Thickness of the wall
- ▶ Available in 5 finishes

Finishes:

CP	Polished Chrome	PN	Polished Nickel
PB	Polished Brass	BN	Brushed Nickel
ORB	Oil Rubbed Bronze		



Use on concrete floors requires special installation. We recommend using a plumbing professional.

Dimensions and specifications subject to change without notice.

LEG TUB DRAIN

Cat. No.
5599



Escutcheon Height: 1-1/4"

Features:

- ▶ Twist-and-lift stopper
- ▶ Includes deep escutcheon
- ▶ Height adjustable 15"-18"
- ▶ Depth adjustable 12"-14"
- ▶ Includes deep escutcheon
- ▶ Available in 5 Finishes

Finishes:

- CP Polished Chrome
- BP Polished Brass
- SN Brushed Nickel
- PN Polished Nickel
- ORB Oil Rubbed Bronze

#5599 Leg Tub Drain



Dimensions and specifications subject to change without notice.