

BRIZO®

86523



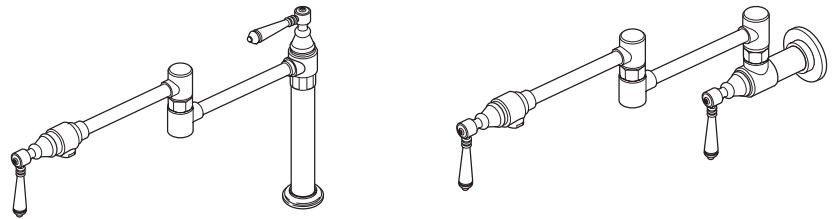
WALL MOUNTED AND DECK MOUNTED POT FILLER FAUCETS
LLAVES DE AGUA EXTENDIBLES PARA INSTALAR EN LA PARED, O EN LOS ESTANTES DE COCINA, PARA LLENAR OLLAS Y SIMILARES.

ROBINETS POUR REMPLISSAGE DE GROSSES MARMITES MONTÉS AU MUR OU SUR UN PLAN DE TRAVAIL

Model/Modelo/Modèle

62710LF, 62720LF,
62810LF, 62820LF,
62725LF, 62825LF
62743LF, 62843LF,
62744LF, 62844LF
62774LF, 62874LF
62858LF

Series/Series/Seria



Write purchased model number here.

Escriba aquí el número del modelo comprado.

Inscrivez le numéro de modèle ici.

Date of Purchase: _____

Fecha de compra _____

Date d'achat _____

Register Online

Regístrese en línea

S'enregistrer en ligne

www.brizo.com/customer-support/product-registration

Image is for reference only.

La imagen es sólo para referencia.

L'image est fournie à titre indicatif seulement.

To reference replacement parts and access additional technical documents and product info, visit www.brizo.com

Para referencia sobre las piezas de repuesto y acceder a documentos técnicos adicionales e información del producto, visite www.brizo.com

Pour obtenir la référence des pièces de rechange ainsi que pour avoir accès à d'autres documents techniques et renseignements sur le produit, allez à www.brizo.com



1-877-345-BRIZO (2749)

www.brizo.com/customer-support

Read all instructions prior to installation.

CAUTION

Failure to read these instructions prior to installation may result in personal injury, property damage, or product failure. Manufacturer assumes no responsibility for product failure due to improper installation.

Lea todas las instrucciones antes de hacer la instalación.

ADVERTENCIA

El no leer estas instrucciones de instalación puede resultar en lesiones personales, daños a la propiedad, o falla en el funcionamiento del producto. El fabricante no asume ninguna responsabilidad por la falla del producto debido a una instalación incorrecta.

Veillez lire toutes les instructions avant l'installation.

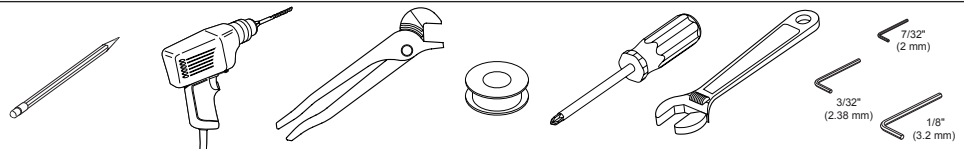
AVERTISSEMENT

L'omission de lire les présentes instructions avant l'installation peut entraîner des blessures, des dommages matériels ou le bris du produit. Le fabricant se dégage de toute responsabilité à l'égard d'un bris du produit causé par une mauvaise installation.

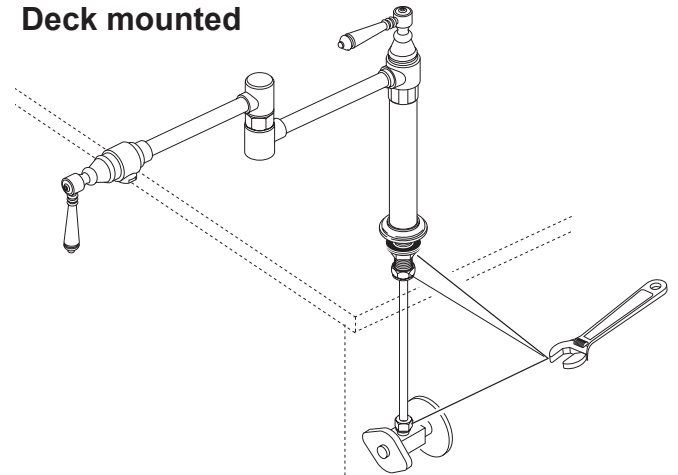
You may need:

Usted puede necesitar:

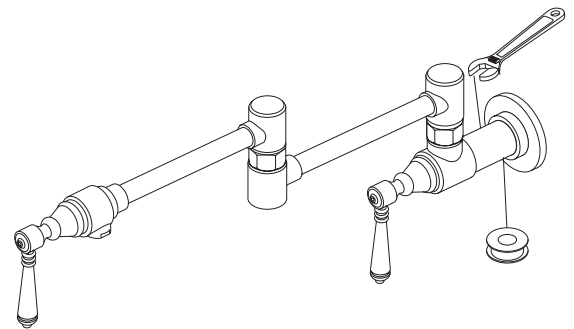
Articles dont vous pouvez avoir besoin :

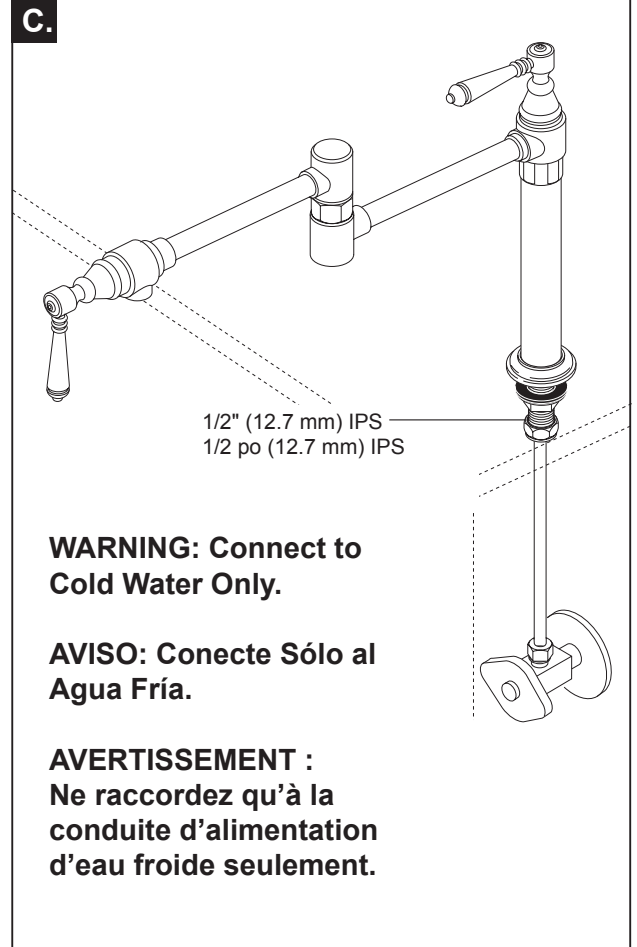
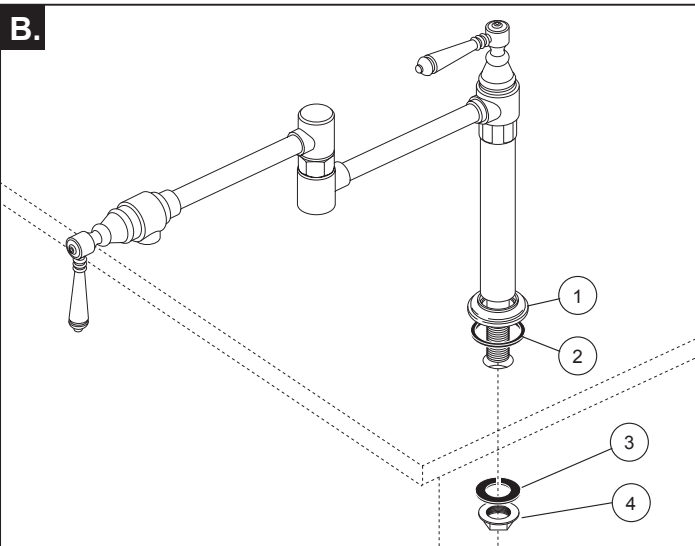
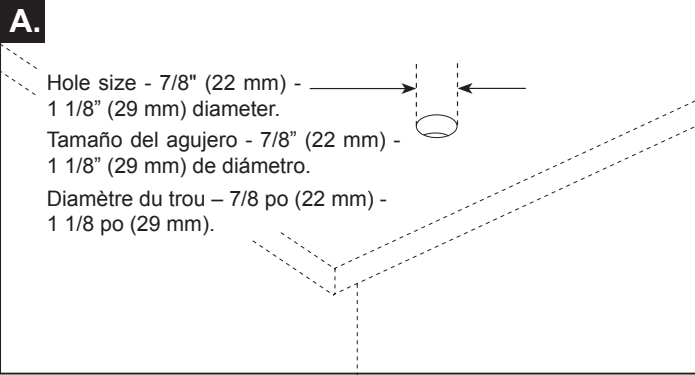


Deck mounted



Wall mounted



1.

Deck Mount Models

A. Drill installation hole in counter top (maximum thickness 3 1/2"). Hole size - 7/8" (22 mm) - 1 1/8" (29 mm) diameter.

B. Place base (1) and gasket (2) through hole in counter top. Secure with gasket (3) and nut (4).

C. **WARNING: To prevent hot water burns make connection to cold water supply line only.**

Modelos para Instalación en el Estante de la Cocina.

A. Perfore un agujero de instalación en la parte de arriba del estante de la cocina (grosor máximo de 3 1/2"). Tamaño del agujero - 7/8" (22 mm) - 1 1/8" (29 mm) de diámetro.

B. Coloque la base (1) y el empaque (2) por el agujero en la parte de arriba del estante. Fije con el empaque (3) y la tuerca (4).

C. **AVISO: Para prevenir quemaduras por agua caliente sólo haga la conexión a la línea de agua fría.**

Modèles montés sur un plan de travail

A. Percez le trou d'installation dans le comptoir (épaisseur maximale de 3 1/2 po). Diamètre du trou - 7/8 po (22 mm) - 1 1/8 po (29 mm).

B. Placez la base (1) et le joint (2) dans le trou dans le comptoir. Fixez la base avec le joint (3) et l'écrou (4).

C. **AVERTISSEMENT : Pour éviter de vous ébouillanter, ne raccordez le robinet qu'à la conduite d'alimentation d'eau froide seulement.**

1.

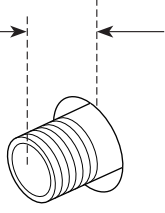
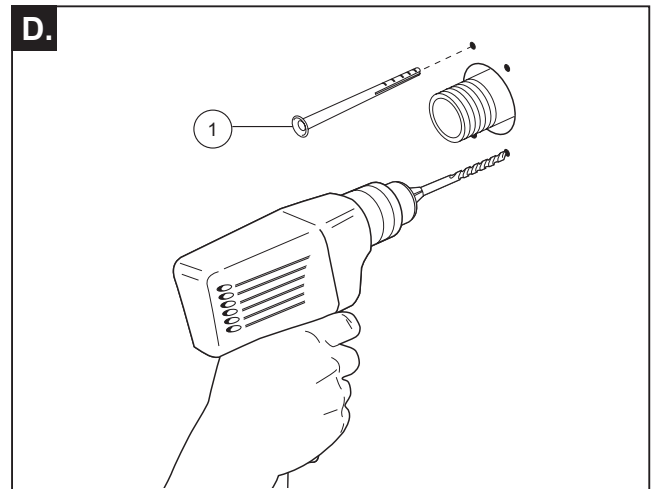
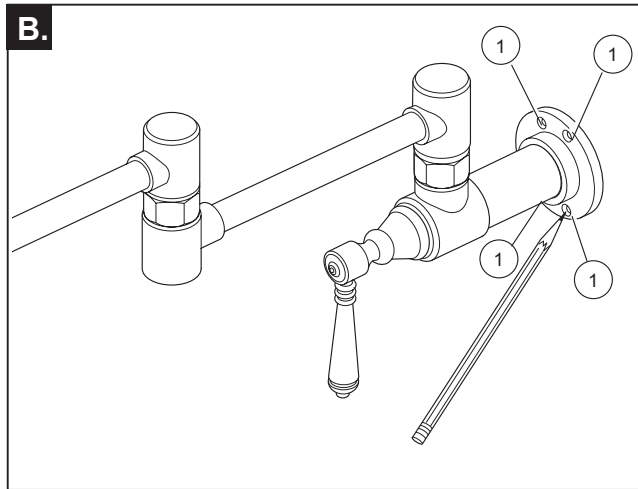
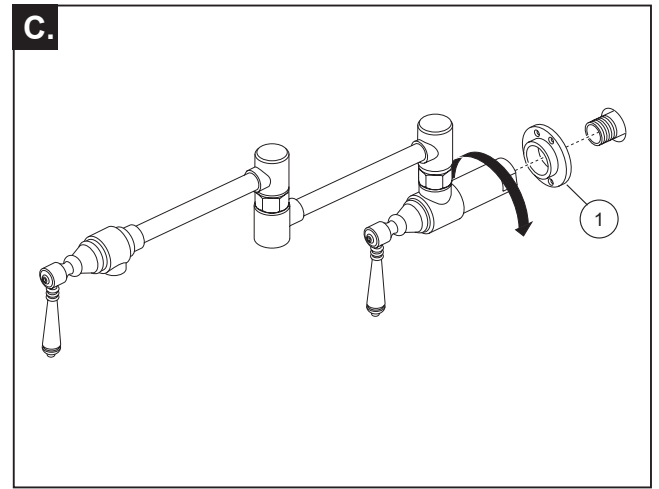
A.

1/2" (13 mm)
1/2 po (13 mm)

WARNING: Connect to Cold Water Only.

AVISO: Conecte Sólo al Agua Fría.

AVERTISSEMENT : Ne raccordez qu'à la conduite d'alimentation d'eau froide seulement.

Wall Mount Models

Use of stringers is recommended for a secure mounting.

A. **WARNING: To prevent hot water burns make connection to cold water supply line only.** Connect to 1/2" IPS supply line. The pipe should extend 1/2" past the finished wall surface.

B. Place wall flange (1) onto the faucet as shown. Thread faucet onto pipe.

C. Mark the screw holes (1) in the flange. Unthread the faucet from the pipe.

D. Drill 3/32" (2.38 mm) holes where marked. If using the provided anchors (1), drill 1/4" (6.35 mm) holes.

Modelos para Instalación en la Pared

Se recomienda el uso de las vigas longitudinales para obtener una instalación segura.

A. **AVISO: Para prevenir quemaduras por agua caliente sólo haga la conexión a la línea de agua fría.** Conecte a la línea de suministro IPS de 1/2". La tubería debe extenderse 1/2" de la superficie de la pared acabada.

B. Coloque el reborde (1) en la llave de agua como se muestra. Enrosque la llave de agua o grifo en la tubería.

C. Marque los agujeros para los tornillos (1) en la brida. Desenrosque la llave de agua o grifo de la tubería.

D. Perfore los agujeros 3/32" (2.38 mm) donde están marcados. Si usa las anclas proporcionadas (1) perfore los agujeros 1/4" (6.35 mm).

Modèles montés au mur

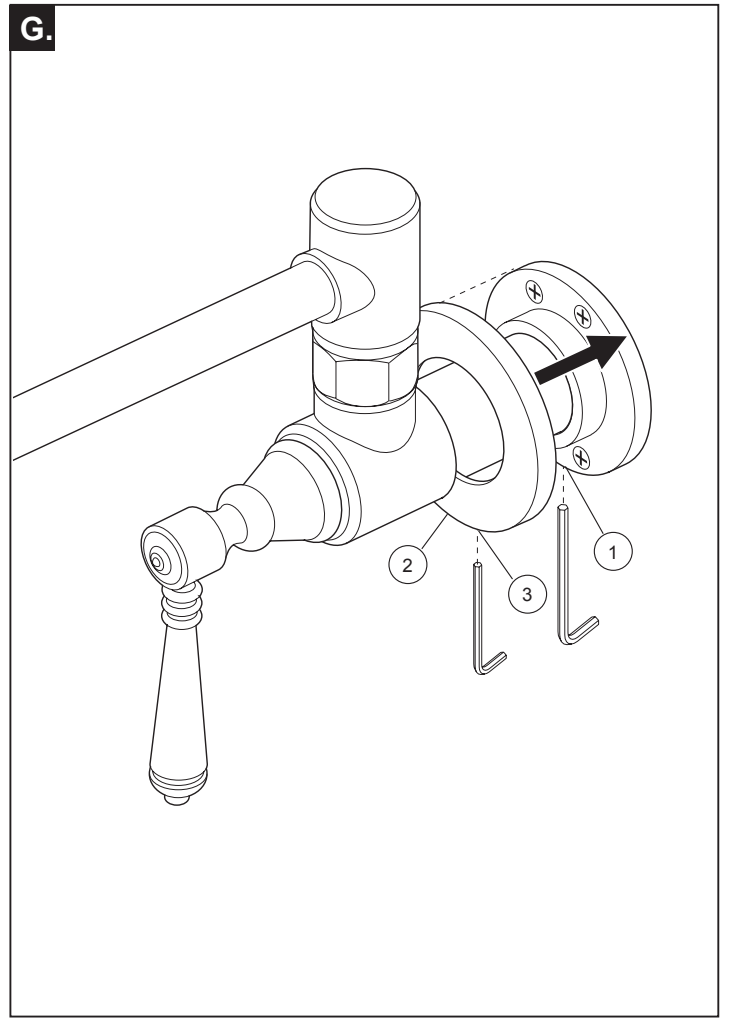
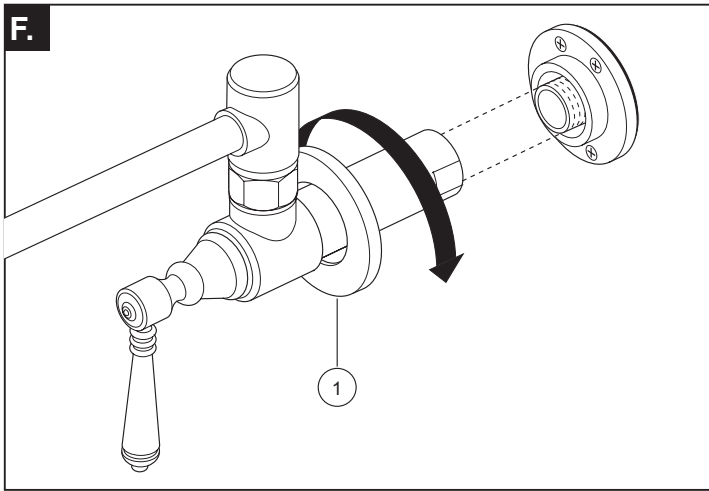
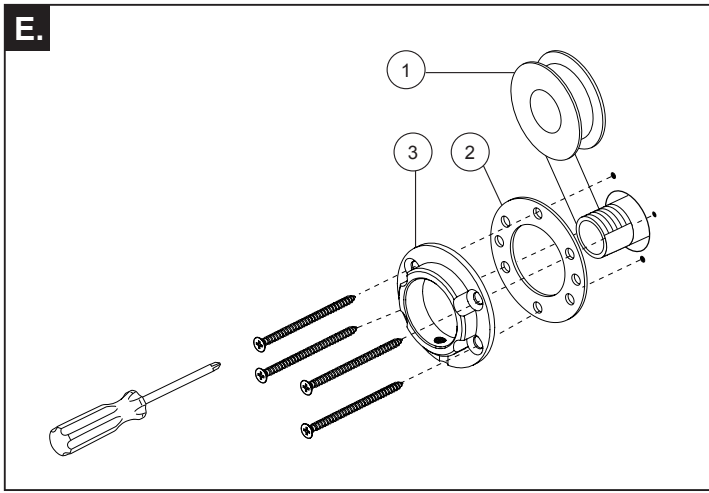
Pour une installation sécuritaire, l'utilisation d'entretoises est recommandée.

A. **AVERTISSEMENT : Pour éviter de vous ébouillanter, ne raccordez le robinet qu'à la conduite d'alimentation d'eau froide seulement.** Raccordez-le à un tuyau d'alimentation 1/2 po IPS. Le tuyau d'alimentation IPS doit présenter une saillie de 1/2 po par rapport à la surface finie du mur.

B. Placez la collerette murale (1) sur le robinet comme le montre la figure. Vissez le robinet sur le tuyau.

C. Marquez les trous de vis (1) dans la collerette. Dévissez le robinet du tuyau.

D. Percez des trous de 3/32 po (2.38 mm) de diamètre aux endroits marqués. Si vous utilisez les ancrages fournis (1), percez des trous de 1/4 po (6.35 mm) de diamètre.



E. Wrap plumber tape (1) around pipe threads. Install the gasket (2) and the flange (3) using the 4 screws (and anchors if required) provided.

G. Tighten set screw in flange (1). Slide flange trim (2) over the wall flange and tighten set screw (3).

F. Place flange trim (1) onto the faucet as shown. Thread faucet onto pipe. Tighten securely, but do not overtighten.

E. Envuelva con cinta para plomero (1) alrededor de las roscas de la tubería. Instale el empaque (2) y la brida (3) usando los 4 tornillos (y anclajes si se requieren) proporcionadas.

G. Apriete el tornillo de ajuste en la brida (1). Deslice el accesorio de la brida (2) sobre la brida de la pared y apriete el tornillo de ajuste.

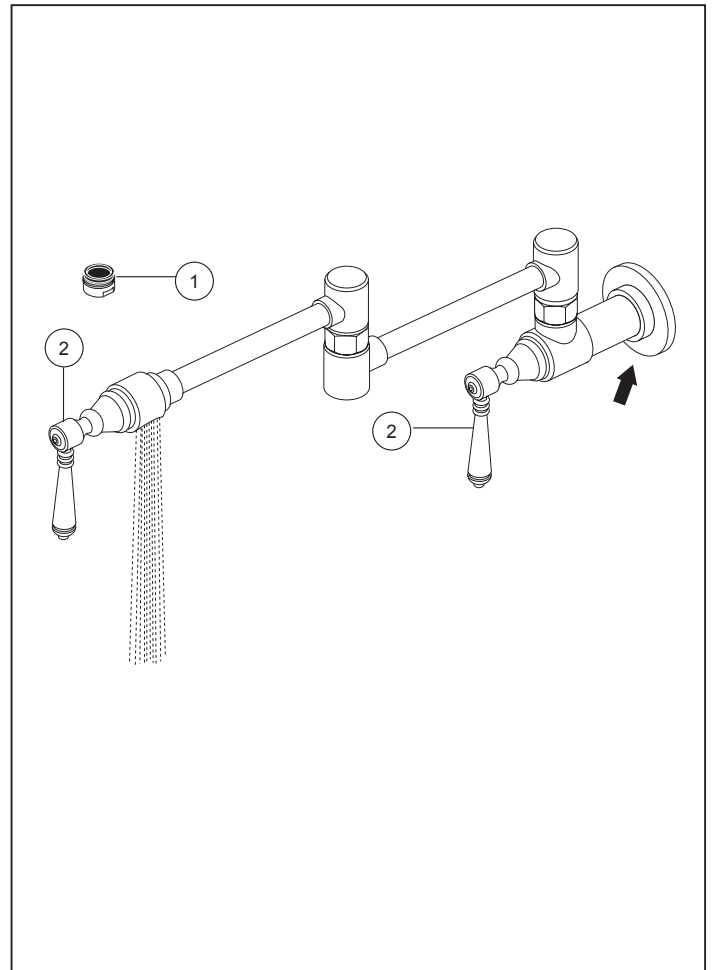
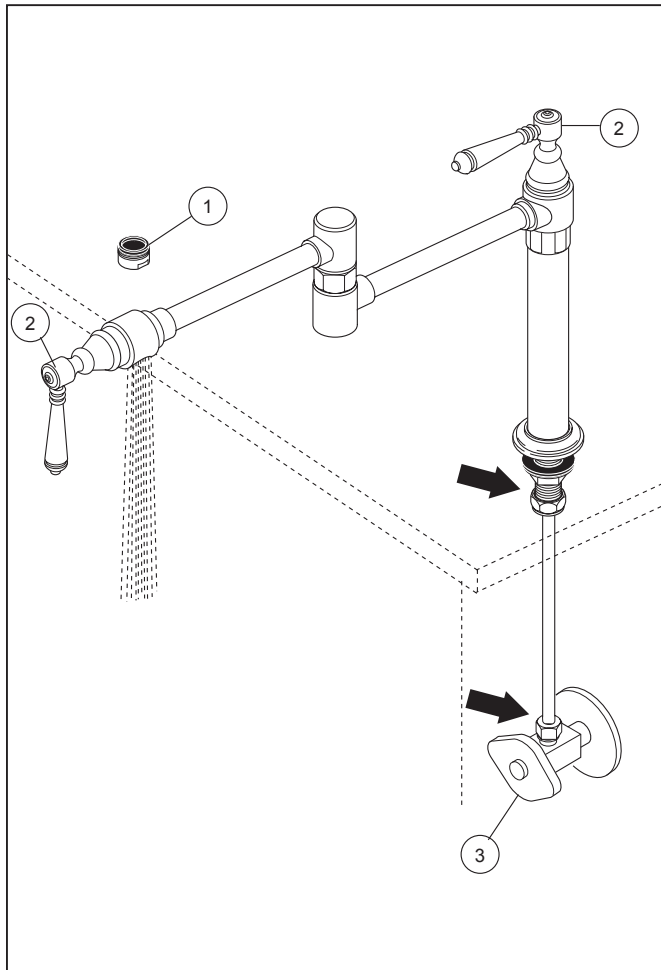
F. Place flange trim (1) onto the faucet as shown. Thread faucet onto pipe. Tighten securely, but do not overtighten.

E. Enroulez du ruban de plomberie (1) autour du filetage du tuyau. Installez le joint (2) et la collerette (3) au moyen des 4 vis fournies (et des ancrages fournis au besoin).

G. Serrez la vis de calage dans la collerette (1). Glissez la garniture de la collerette (2) par-dessus la collerette murale et serrez la vis de calage (3).

F. Placez la garniture de la collerette (1) sur le robinet comme l'indique la figure. Vissez le robinet sur le tuyau. Serrez solidement, mais pas excessivement.

2.



Flush Your System

Remove aerator (1) and turn faucet handles (2) to the full on position. Turn on cold water supplies (3) and flush water lines for one minute. **Important: This flushes away any debris that could cause damage to internal parts.** Check all connections at arrow for leaks. Re-tighten if necessary, but do not overtighten.

Notice

Property damage and water leak possible. Leaks and property damage may occur from incorrect installation. Follow all installation instructions before making final connections and turning on the supplies. Shut off both handles when not in use or left unattended. Improper use or inadequate drainage below faucet may cause water damage.

Deje Correr El Agua Por Las Tuberías:

Quite el aireador (1) y gire las manijas de la llave completamente a la posición abierta. Abra los suministros de agua fría (2) y deje que el agua corra por las líneas por un minuto. **Importante: Esto limpia cualquier escombros que pueda causar daño a las partes internas.** Examine si hay filtraciones en todas las conexiones indicadas con flechas. Apriete de nuevo si es necesario, pero no apriete demasiado.

Aviso

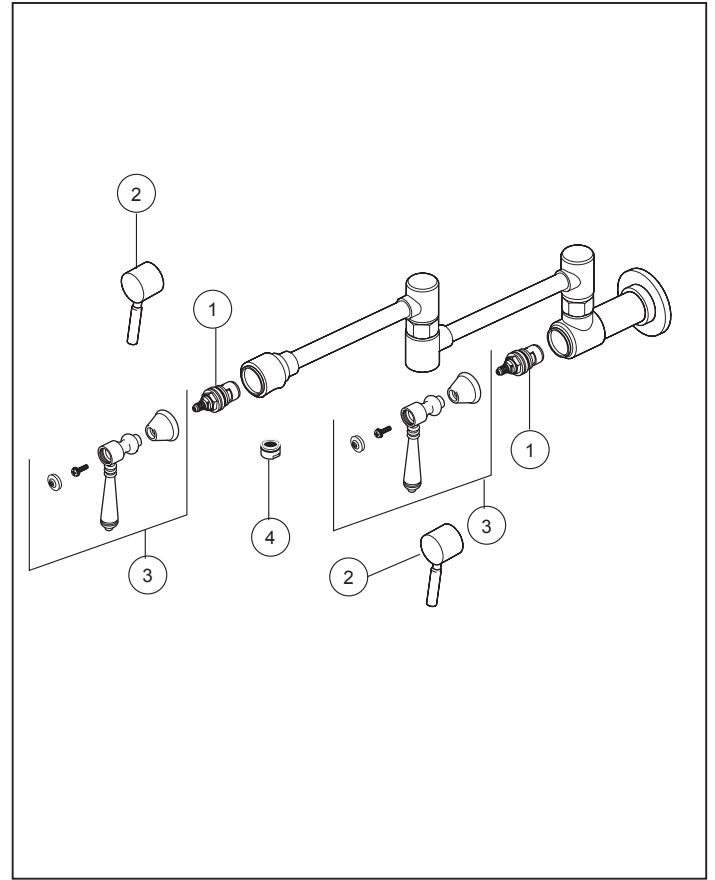
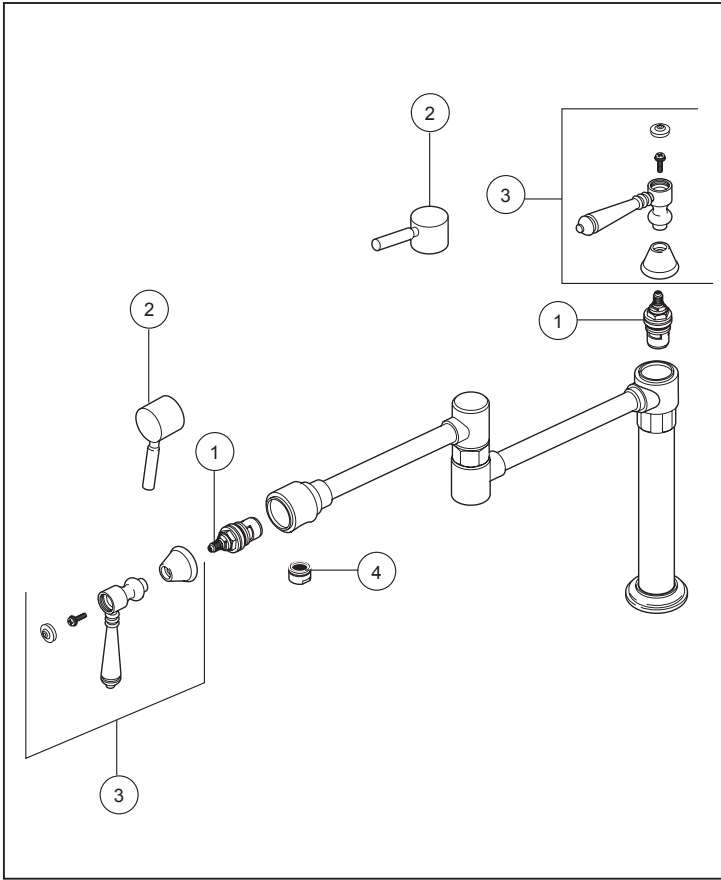
Posibles daños a la propiedad y filtración de agua. Las filtraciones o fugas de agua y daños a la propiedad pueden ocurrir por una instalación incorrecta. Siga todas las instrucciones de instalación antes de hacer las conexiones finales y abrir los suministros de agua. Apague las abmas manijas cuando no las usen o estén dejadas sin vigilancia. El uso inapropiado o el drenaje inadecuado debajo del grifo pueden causar daños causados por el agua.

Purgez L'installation:

Retirez l'aérateur (1) et tournez les poignées (2) du robinet pour ouvrir celui-ci complètement. Rétablissez l'alimentation en eau froide (3), puis laissez s'écouler l'eau une minute. **Important: Il faut laisser s'écouler l'eau pour évacuer les saletés qui pourraient abîmer les éléments internes du robinet.** Vérifiez l'étanchéité de tous les raccords identifiés par une flèche. Resserrez les raccords au besoin, mais prenez garde de trop les serrer.

Avis

Possibilité de dommages matériels et de fuite. Une mauvaise installation peut entraîner une fuite et des dommages matériels. Effectuez l'installation conformément à toutes les instructions avant de faire les branchements finals et d'ouvrir les robinets d'alimentation. Éteignez les deux poignées lorsqu'elles ne sont pas utilisées ou ne laissées sans surveillance. L'utilisation incorrecte ou le drainage inadéquat sous le robinet peut causer des dégâts d'eau.



Maintenance

If faucet leaks out of spout or handle - Replace valve cartridge (1). Pull off handle (2) or remove button, screw, handle and base (3). Unscrew and replace valve cartridge, 19 mm hex. Assemble in reverse order. Line up handles with valves in closed position before pushing handles into place.

If faucet exhibits very low flow - Remove and clean aerator (4).

Mantenimiento

Si la llave de agua tiene una filtración desde el surtidor o desde la manija - Cambie el cartucho de la válvula (1). Hale para sacar la manija (2) o quitar el botón, el tornillo y la manija (3). Destornille y reemplace el cartucho de la válvula, 19 mm hex. Ensamble en orden inverso. Alinee las manijas con las válvulas en la posición cerrada antes de presionar las manijas en su sitio.

Si la llave de agua exhibe flujo lento - Quite y limpie el aireador (4).

Entretien

Si le robinet fuit par le bec ou l'extrémité de la manette : remplacez la cartouche de la soupape (1). Enlevez la manette (2) en tirant sur celle-ci ou enlevez le bouton, la vis et la manette (3). Dévissez et remplacez la cartouche de la soupape, prise 19 mm hexagonale. Remontez les éléments dans l'ordre inverse à celui du démontage. Alors que les soupapes sont fermées, alignez les manettes avant de les remettre en place en exerçant une pression sur celles-ci.

Si le débit du robinet est très faible : enlevez et nettoyez le brise-jet (4).

CLEANING AND CARE

Care should be given to the cleaning of this product. Although its finish is extremely durable, it can be damaged by harsh abrasives or polish. To clean, simply wipe gently with a damp cloth and blot dry with a soft towel.

LIMPIEZA Y CUIDADO DE SU LLAVE

Tenga cuidado al ir a limpiar este producto. Aunque su acabado es sumamente durable, puede ser afectado por agentes de limpieza o para pulir abrasivos. Para limpiar su llave, simplemente frótela con un trapo húmedo y luego séquela con una toalla suave.

INSTRUCTIONS DE NETTOYAGE

Il faut le nettoyer avec soin. Même si son fini est extrêmement durable, il peut être abîmé par des produits fortement abrasifs ou des produits de polissage. Il faut simplement le frotter doucement avec un chiffon humide et le sécher à l'aide d'un chiffon doux.

Parts and Finish. All parts (other than electronic parts, air switch power modules, batteries, and parts not supplied by Brizo Kitchen and Bath Company) and finishes of Brizo® faucets purchased from authorized Brizo sellers are warranted to the original consumer purchaser to be free from defects in material and workmanship for as long as the original consumer purchaser owns the home in which the faucet was first installed. For commercial purchasers, (a) the warranty period is ten (10) years for multi-family residential applications and (b) five (5) years for all other commercial uses, in each case from the date of purchase. For purposes of this warranty, the term "multi-family residential application" refers to the purchase of the faucet from an authorized Brizo seller by a purchaser who owns but does not live in the residential dwelling in which the faucet is initially installed, such as in a rented or leased single unit or multi-unit detached home (duplex or townhome), or a condominium, apartment building or community living center. The following installations are not considered multi-family residential applications, are excluded from the 10-year warranty, and are subject to the 5-year warranty: industrial, institutional or other business premises, such as a dormitory, hospitality premises (hotel, motel, or extended stay location), airport, educational facility, long- or short-term healthcare facility (hospital, rehabilitation center, nursing, assisted or staged-care living unit), public space or common area.

Electronic Parts and Batteries (if applicable). Electronic parts (other than air switch power modules and batteries), if any, in Brizo® faucets purchased from authorized Brizo sellers are warranted to the original consumer purchaser to be free from defects in material and workmanship for five (5) years from the date of purchase or, for commercial users, for one (1) year from the date of purchase. No warranty is provided on batteries.

Air Switch Power Module. The electronic power module of Brizo® air switches purchased from authorized Brizo sellers is warranted to the original consumer purchaser to be free from defects in material and workmanship for two (2) years from the date of purchase or, for commercial users, for one (1) year from the date of purchase.

What We Will Do. Brizo Kitchen & Bath Company will repair or replace, free of charge, during the applicable warranty period (as described above), any part or finish that proves defective in material and/or workmanship under normal installation, use, and service. Brizo Kitchen & Bath Company may, in its sole discretion, use new, refurbished or recertified parts or products for such repair or replacement. If repair or replacement is not practical, Brizo Kitchen & Bath Company may elect to refund the purchase price in exchange for the return of the product. **These are your exclusive remedies.**

What Is Not Covered. Because Brizo Kitchen and Bath Company is unable to control the quality of Brizo products sold by unauthorized sellers, unless otherwise prohibited by law, this warranty does not cover Brizo products purchased from unauthorized sellers (visit Brizo.com to see a list of our Authorized Online Resellers).

Any labor charges incurred by the purchaser to repair, replace, install or remove this product are not covered by this warranty. Brizo Kitchen & Bath Company shall not be liable for any damage to the product resulting from reasonable wear and tear, outdoor use, misuse (including use of the product for an unintended application), freezing water, abuse, neglect, or improper or incorrectly performed assembly, installation, maintenance or repair, including failure to follow the applicable care and cleaning instructions. Customized components purchased by the consumer or commercial user and installed into a Brizo product, and any damage resulting from removal or improper installation of such components, are not covered by this warranty.

Brizo Kitchen & Bath Company recommends using a professional plumber for all installation and repair of faucets. We also recommend that you use only genuine Brizo® replacement parts.

Limited Warranty on Brizo® Faucets

What You Must Do To Obtain Warranty Service or Replacement Parts. A warranty claim may be made and replacement parts may be obtained by calling 1-877-345-BRIZO (2749) or by contacting us by mail or online as follows (please include your model number and date of purchase):

In the United States and Mexico:
Brizo Kitchen & Bath Company
55 E. 111th Street
Indianapolis, IN 46280
Attention: Warranty Service
<https://www.brizo.com/customer-support/contact-us>

In Canada:
Masco Canada Limited, Plumbing Group
Technical Service Centre
350 South Edgeware Road
St. Thomas, Ontario, Canada N5P 4L1
<https://www.brizo.com/customer-support/contact-us>

Proof of purchase (original sales receipt) from the original purchaser must be made available to Brizo Kitchen & Bath Company for all warranty claims unless the purchaser has registered the product with Brizo Kitchen & Bath Company. This warranty applies only to Brizo® faucets installed in the United States of America, Canada, and Mexico.

Limitation on Duration of Implied Warranties. Please note that some states/provinces (including Quebec) do not allow limitations on how long an implied warranty lasts, so the below limitations may not apply to you. TO THE MAXIMUM EXTENT PERMITTED BY APPLICABLE LAW, ANY IMPLIED WARRANTY, INCLUDING THE IMPLIED WARRANTIES OF MERCHANTABILITY AND OF FITNESS FOR A PARTICULAR PURPOSE, IS LIMITED TO THE STATUTORY PERIOD OR THE DURATION OF THIS WARRANTY, WHICHEVER IS SHORTER.

Limitation of Special, Incidental or Consequential Damages. Please note that some states/provinces (including Quebec) do not allow the exclusion or limitation of special, incidental, or consequential damages, so the below limitations and exclusions may not apply to you. TO THE MAXIMUM EXTENT PERMITTED BY APPLICABLE LAW, THIS WARRANTY DOES NOT COVER, AND BRIZO KITCHEN & BATH COMPANY SHALL NOT BE LIABLE FOR ANY SPECIAL, INCIDENTAL, OR CONSEQUENTIAL DAMAGES (INCLUDING LABOR CHARGES TO REPAIR, REPLACE, INSTALL OR REMOVE THIS PRODUCT), WHETHER ARISING OUT OF BREACH OF ANY EXPRESS OR IMPLIED WARRANTY, BREACH OF CONTRACT, TORT, OR OTHERWISE. BRIZO KITCHEN & BATH COMPANY SHALL NOT BE LIABLE FOR ANY DAMAGE TO THE FAUCET RESULTING FROM REASONABLE WEAR AND TEAR, OUTDOOR USE, MISUSE (INCLUDING USE OF THE PRODUCT FOR AN UNINTENDED APPLICATION, FREEZING WATER, ABUSE, NEGLECT OR IMPROPER OR INCORRECTLY PERFORMED ASSEMBLY, INSTALLATION, MAINTENANCE OR REPAIR, INCLUDING FAILURE TO FOLLOW THE APPLICABLE INSTALLATION, CARE AND CLEANING INSTRUCTIONS. Notice to residents of the State of New Jersey: The provisions of this warranty, including its limitations, are intended to apply to the fullest extent permitted by the laws of the State of New Jersey.

Additional Rights. This warranty gives you specific legal rights, and you may also have other rights which vary from state/province to state/province.

This is Brizo Kitchen & Bath Company's exclusive written warranty, and the warranty is not transferable.

If you have any questions or concerns regarding our warranty, please contact us as provided above or visit our website at www.brizo.com.
© 2022 Masco Corporation of Indiana

Garantía limitada de los grifos Brizo®

Piezas y Acabados. Todas las piezas (excepto los componentes electrónicos, los módulos eléctricos de interruptor de aire, las pilas y partes no suministradas por Brizo Kitchen and Bath Company) y acabados de las llaves de agua/grifo Brizo® comprados de vendedores de Brizo autorizados están garantizados al consumidor comprador original de estar libres de defectos en material y fabricación durante el tiempo que el comprador original sea propietario de la vivienda en la que la llave de agua fue originalmente instalada. Para los usuarios comerciales, (a) el período de garantía es de diez (10) años para aplicaciones en viviendas multifamiliares (apartamentos y condominios) y (b) cinco (5) años para todos los demás usos comerciales, en cada caso desde la fecha de compra. Para los propósitos de esta garantía, el término "aplicación multifamiliar residencial" se refiere a la compra del grifo de un vendedor de Brizo autorizado por el comprador propietario, pero que no vive en la vivienda residencial donde inicialmente se instaló la llave de agua, como en una unidad alquilada o arrendada, o unidad o vivienda unifamiliar separada (duplex o casas adosadas), o un condominio, edificio de apartamentos o centro de vivienda comunitaria. Las siguientes instalaciones no se consideran aplicaciones multifamiliares, están excluidas de la garantía de 10 años y están sujetas a la garantía de cinco años: instalaciones industriales, instituciones u otras instalaciones comerciales, como dormitorios, instalaciones de hotelería (hotel, motel o una alberga para estancias prolongadas), aeropuerto, centro educativo, centro de atención de salud a corto o largo plazo (hospital, centro de rehabilitación, enfermería, unidad de vivienda asistida o una unidad residencial de cuidado), espacio público o área común.

Piezas electrónicas y pilas (si aplicable). Las piezas electrónicas (excepto los módulos de los interruptores de aire y las pilas), si las hay, de esta llave de agua/grifo Brizo® están garantizadas al consumidor comprador original de estar libres de defectos en material y fabricación durante cinco (5) años a partir de la fecha de compra en el caso de los consumidores comerciales, durante un (1) año a partir de la fecha de compra. No ofrecemos garantía en las pilas.

Módulos del interruptor de aire. Los módulos eléctricos de los interruptores de aire Brizo® comprados a vendedores autorizados de Brizo están garantizados al comprador consumidor original estar libres de defectos de material y mano de obra durante dos (2) años a partir de la fecha de compra o, para usuarios comerciales, por uno (1) año desde la fecha de compra.

Lo que haremos. La compañía Brizo Kitchen & Bath Company reparará o reemplazará, sin costo alguno, durante el período de garantía aplicable (como descrito arriba) cualquier pieza o acabado que demuestre estar defectuosa en material y/o fabricación bajo la instalación, el uso y el servicio normal. Si la reparación o el reemplazo no es práctico, Brizo Kitchen & Bath Company puede optar por reembolsarle el precio de compra a cambio de la devolución del producto. **Estos son sus remedios exclusivos.**

Lo que no está cubierto. Debido a que Brizo Kitchen and Bath Company no puede controlar la calidad de los productos Brizo vendidos por vendedores no autorizados, a menos que la ley lo prohíba, esta garantía no cubre los productos Brizo comprados a vendedores no autorizados (visite Brizo.com para ver una lista de nuestros revendedores autorizados en línea).

Cualquier cargo por mano de obra incurrido por el comprador para reparar, reemplazar, instalar o desmontar este producto no está cubierto por esta garantía. Brizo Kitchen & Bath Company no será responsable por cualquier daño al grifo que resulte del desgaste razonable, uso en el exterior de la propiedad, uso indebido (incluyendo el uso del producto para una aplicación indebida), agua helada, abuso, negligencia, o instalación, mantenimiento o reparación realizadas incorrectamente, incluyendo el no seguir las instrucciones correspondientes para el cuidado, la limpieza y el mantenimiento. Los componentes personalizados comprados por el consumidor o usuario comercial e instalados en un producto Brizo, y cualquier daño resultante por la extracción o instalación incorrecta de dichos componentes, no están cubiertos por esta garantía.

Brizo Kitchen & Bath Company recomienda que un plomero profesional haga toda la instalación y las reparaciones. También recomendamos que use solo piezas de repuestos originales Brizo®.

Lo que usted debe hacer para obtener servicio de garantía o piezas de repuesto. Puede hacer un reclamo para la garantía y puede obtener piezas de repuesto llamando al 1-877-345-BRIZO (2749) o contactándonos por correo o en línea de la siguiente manera (por favor incluya su número de modelo y fecha de compra):

En Estados Unidos y México:
Brizo Kitchen & Bath Company
55 E. 111th Street
Indianapolis, IN 46280
Atención: Servicio de Garantía
<https://www.brizo.com/customer-support/contact-us>

En Canadá:
Masco Canada Limited, Plumbing Group
Technical Service Centre
350 South Edgeware Road
St. Thomas, Ontario, Canada N5P 4L1
<https://www.brizo.com/customer-support/contact-us>

El comprante de compra (recibo de venta original) del comprador original debe estar disponible a Brizo Kitchen & Bath Company para todos los reclamos de garantía a menos que el comprador haya registrado el producto con Brizo Kitchen & Bath Company. Esta garantía se aplica solo a las llaves de agua/grifos Brizo® instaladas en los Estados Unidos de América, Canadá y México.

La limitación de la duración de las garantías implícitas. Favor tome nota de que algunos estados/provincias (incluyendo Quebec) no permiten limitaciones de la duración de una garantía implícita por lo que las limitaciones a continuación puedan no aplicarse. HASTA EL ALCANCE EN QUE LA LEY LO PERMITA, CUALQUIER GARANTÍA IMPLÍCITA, INCLUIDAS LAS GARANTÍAS IMPLÍCITAS DE COMERCIABILIDAD Y DE IDONEIDAD PARA UN PROPOSITO PARTICULAR, ESTÁ LIMITADA AL PERÍODO LEGAL O A LA DURACIÓN DE ESTA GARANTÍA, LO QUE SEA MÁS CORTO.

Limitation of Special, Incidental or Consequential Damages. Favor tome nota de que algunos estados/provincias (incluyendo Quebec) no permiten exclusión o limitación de daños especiales, incidentales o consecuentes, por lo cual las siguientes limitaciones y exclusiones puedan no aplicarse. HASTA EL ALCANCE MÁXIMO EN QUE LA LEY APlicable LO PERMITA, ESTA GARANTÍA NO CUBRE, NI BRIZO KITCHEN & BATH COMPANY SERÁ RESPONSABLE, CUALQUIER DAÑO ESPECIAL, INCIDENTAL O CONSECUENTE (INCLUYENDO LOS GASTOS LABORALES PARA REPARAR, REEMPLAZAR, INSTALAR O DESMONTAR ESTE PRODUCTO), YA SEA EL RESULTADO DEL INCUMPLIMIENTO DE CUALQUIER GARANTÍA EXPRESA O IMPLÍCITA, INCUMPLIMIENTO DE CONTRATO, AGRAVIO O DE CUALQUIER OTRA MANERA. BRIZO KITCHEN & BATH COMPANY NO SERÁ RESPONSABLE POR CUALQUIER DAÑO AL GRIFO COMO RESULTADO DEL DESGASTE RAZONABLE, USO EN EL EXTERIOR DE LA PROPIEDAD, USO INDEBIDO (INCLUYENDO EL USO DEL PRODUCTO PARA UNA APLICACIÓN INDEBIDA), AGUA HELADA, ABUSO, NEGLIGENCIA, ENSAMBLE, INSTALACIÓN, O MANTENIMIENTO INADECUADO O INCORRECTO, INCLUYENDO EL NO SEGUIR LAS INSTRUCCIONES CORRESPONDIENTES PARA EL CUIDADO, LA LIMPIEZA Y EL MANTENIMIENTO. Aviso para los residentes del estado de New Jersey: Las disposiciones de esta garantía, incluyendo las limitaciones, tienen el propósito de aplicarse en la máxima medida permitida por las leyes del estado de New Jersey.

Derechos adicionales. Esta garantía le otorga derechos legales específicos, y también puede tener otros derechos que varían de estado/provincia a estado/provincia.

Esta es la garantía escrita exclusiva de Brizo Kitchen & Bath Company y la garantía no es transferible.

Si tiene preguntas o dudas con respecto a nuestra garantía, por favor comuníquese con nosotros como indicado arriba o visite nuestro sitio web www.brizo.com.
© 2022 Masco Corporación de Indiana

Garantie limitée des robinets Brizo®

Pièces et finis. Tous les pièces (autres que les composants électroniques, les modules d'alimentation d'interrupteur pneumatique, les piles et les pièces non fournies par Brizo Kitchen and Bath Company) et les finis des robinets Brizo® achetés auprès de vendeurs Brizo autorisés sont protégés contre les défauts du matériel et les vices de fabrication par une garantie qui est censée au premier acheteur au détail et qui demeure valide tant que celui-ci demeure propriétaire de la maison dans laquelle le robinet a été installé. En ce qui concerne les acheteurs commerciaux, la période de garantie est de dix (10) ans pour les applications résidentielles multifamiliales et de cinq (5) ans pour toutes les autres applications commerciales, à compter de la date d'achat dans chaque cas. Dans le libellé de la présente garantie, on entend par « application résidentielle multifamiliale », un robinet acheté chez un vendeur Brizo autorisé par un acheteur qui est propriétaire d'un logement résidentiel sans l'habiter et installé la première fois dans cet immeuble. Il peut s'agir d'un immeuble individuel comportant un ou plus d'un logement loué (duplex ou groupe de maisons en rangée), d'un condominium, d'un immeuble d'habitation ou d'un centre d'intégration communautaire. Les applications décrites ci-après ne sont pas considérées comme étant des applications résidentielles multifamiliales et elles sont couvertes par la garantie de cinq (5) ans plutôt que par la garantie de dix (10) ans. Ce sont les suivantes : robinets installés dans un bâtiment industriel, un bâtiment institutionnel et un autre immeuble commercial, notamment une résidence d'étudiants, un lieu d'hébergement (hôtel, motel ou lieu de séjour prolongé), un aéroport, un établissement d'enseignement, un établissement de soins de santé de courte ou de longue durée (hôpital, centre de réadaptation, maison de soins infirmiers, résidence pour personnes âgées), un endroit public ou un lieu commun.

Composants électroniques et piles (le cas échéant). Les composants électroniques (autres que les modules d'alimentation d'interrupteur pneumatique et les piles) des robinets Brizo® achetés auprès de vendeurs Brizo autorisés sont protégés contre les défauts du matériel et les vices de fabrication par une garantie consentie au premier acheteur au détail qui est de cinq (5) ans à compter de la date d'achat. En ce qui concerne les acheteurs commerciaux, la période de garantie est d'un (1) an à compter de la date d'achat. Les piles ne sont pas couvertes par la garantie.

Module d'alimentation d'interrupteur pneumatique. Le module d'alimentation électronique des interrupteurs pneumatiques Brizo® acheté auprès de vendeurs Brizo autorisés est protégé contre les défauts de matériel et les vices de fabrication par une garantie consentie au premier acheteur au détail qui est d'une durée de deux (2) ans à compter de la date d'achat. En ce qui concerne les acheteurs commerciaux, la garantie est d'une durée d'un (1) an à compter de la date d'achat.

Ce que nous ferons. Brizo Kitchen and Bath Company réparera ou remplacera gratuitement, pendant la période de garantie applicable (décrite ci-dessus), toute pièce ou tout fini qui présentera une déficience de matériel et/ou une vice de fabrication pour autant que le produit ait été installé, utilisé et entretenu normalement. Brizo Kitchen & Bath Company pourra, à son entière discrétion, utiliser des pièces ou des produits neufs, remis en état ou recertifiés pour effectuer la réparation ou le remplacement. S'il n'est pas utile de réparer ou de remplacer le produit, Brizo Kitchen & Bath Company pourra rembourser le prix d'achat en échange du produit retourné. **Il s'agit de vos seuls recours.**

Ce qui n'est pas couvert. Brizo Kitchen and Bath Company ne peut contrôler la qualité des produits Brizo vendus par des vendeurs non autorisés. Par conséquent, la présente garantie ne couvre pas les produits achetés auprès de vendeurs non autorisés, à moins que la loi n'interdise une telle limitation de la garantie (allez à Brizo.com pour obtenir la liste de nos revendeurs en ligne autorisés).

La présente garantie ne couvre pas les frais de main-d'œuvre encourus par l'acheteur pour la réparation, le remplacement, l'installation ou la dépose du produit. Brizo Kitchen & Bath Company se dégage de toute responsabilité à l'égard de toute détérioration du produit résultant d'une usage raisonnable et des dommages causés par une utilisation à l'extérieur, un mauvais usage (y compris l'utilisation du produit à des fins autres que celles auxquelles il est destiné), le gel de l'eau, un usage abusif, la négligence ou l'utilisation d'une méthode d'assemblage, d'installation, de maintenance ou de réparation incorrecte ou inadéquate, y compris les dommages résultant du non-respect des instructions de nettoyage et d'entretien applicables. La présente garantie ne couvre pas non plus les composants non authentiques achetés par le consommateur ou un utilisateur commercial et installés dans un produit Brizo ainsi que tous les dommages résultant de la dépose ou d'une mauvaise installation desdits composants.

Brizo Kitchen and Bath Company vous recommande de confier tous les travaux d'installation et de réparation à un plombier profes-

sionnel. Nous vous recommandons également d'utiliser uniquement des pièces de rechange Brizo® authentiques.

Ce que vous devez faire pour vous prévaloir de la garantie ou obtenir des pièces de rechange Vous pouvez présenter une réclamation en vertu de la garantie et obtenir des pièces de rechange en appelant au 1-877-345-BRIZO (2749) ou en communiquant avec nous à l'une des adresses postales ou des adresses de courriel indiquées ci-dessous (n'oubliez pas d'indiquer le numéro de modèle et la date d'achat).

Aux États-Unis et au Mexique
Brizo Kitchen and Bath Company
55 E. 111th Street
Indianapolis, IN 46280
Attention: Warranty Service
<https://www.brizo.com/customer-support/contact-us>

Au Canada:
Masco Canada Limited, Groupe plomberie
Centre de services techniques
350, chemin South Edgeware
St. Thomas (Ontario) Canada N5P 4L1
<https://www.brizo.com/customer-support/contact-us>

La preuve d'achat (original du reçu) du premier acheteur doit être présentée à Brizo Kitchen & Bath Company pour toutes les réclamations en vertu de la garantie, sauf si le produit a été enregistré auprès de Brizo Kitchen & Bath Company. La présente garantie s'applique uniquement aux robinets Brizo® installés aux États-Unis d'Amérique, au Canada et au Mexique.

Limitation de la durée des garanties implicites. Veuillez noter qu'il est interdit dans certains États et certaines provinces (y compris le Québec) de limiter la durée d'une garantie implicite. Par conséquent, les limites mentionnées ci-dessous peuvent ne pas s'appliquer à vous. DANS LA MESURE DE CE QUI EST PERMIS PAR LA LOI APPLICABLE, TOUTES LES GARANTIES IMPLI- CITES, Y COMPRIS LES GARANTIES IMPLIQUES DE QUALITÉ MARCHANDE ET D'ADÉQUATION À UN USAGE PARTICULIER, SE LIMITENT À LA PÉRIODE FIXÉE PAR LA LOI OU À LA DURÉE DE LA PRÉSENTE GARANTIE, LA PLUS COURTE DES DEUX PÉRIODES S'APPLIQUANT.

Limitation des dommages particuliers, consécutifs ou indirects. Veuillez noter qu'il est interdit dans certains États et certaines provinces (y compris le Québec) d'exclure ou de limiter les dommages particuliers, consécutifs ou indirects. Par conséquent, les exclusions et les limites mentionnées ci-dessous peuvent ne pas s'appliquer à vous. DANS LA MESURE DE CE QUI EST PERMIS PAR LA LOI APPLICABLE, BRIZO KITCHEN & BATH COMPANY SE DÉGAGE DE TOUTE RESPONSABILITÉ À L'ÉGARD DES DOMMAGES PARTICULIERS, CONSÉQUENTS OU INDIRECTS (Y COMPRIS LES FRAIS DE MAIN-D'ŒUVRE POUR LA RÉPARATION, LE REMPLACEMENT, L'INSTALLATION OU LA DÉPOSE DU PRODUIT), PEUT IMPORTER QU'ILS DÉCOULENT D'UNE RUPTURE D'UNE GARANTIE IMPLICITE OU EXPLICITE, D'UNE RUPTURE DE CONTRAT, D'UN DÉLIT CIVIL OU D'UNE AUTRE CAUSE. BRIZO KITCHEN & BATH COMPANY SE DÉGAGE DE TOUTE RESPONSABILITÉ À L'ÉGARD DE TOUTE DÉTÉRIORATION DU ROBINET RÉSULTANT D'UNE USURE RAISONNABLE ET DES DOMMAGES CAUSÉS PAR UNE UTILISATION À L'EXTÉRIEUR, UN MAUVAIS USAGE (Y COMPRIS L'UTILISATION DU PRODUIT À DES FINS AUTRES QUE CELLES AUXQUELLES IL EST DESTINÉ), LE GEL DE L'EAU, UN USAGE ABUSIF, LA NÉGLIGENCE OU L'UTILISATION D'UNE MÉTHODE D'ASSEMBLAGE, D'INSTALLATION, DE MAINTENANCE OU DE RÉPARATION INCORRECTE OU INADÉQUATE, Y COMPRIS LES DOMMAGES RÉSULTANT DU NON-RESPECT DES INSTRUCTIONS D'INSTALLATION, DE NETTOYAGE ET D'ENTRETIEN APPLICABLES, ET CES DOMMAGES NE SONT PAS COUVERTS PAR LA GARANTIE. Avis à l'intention des résidents de l'État du New Jersey : Les dispositions de la présente garantie, y compris ses limites, s'appliquent dans toute la mesure permise par les lois de l'État du New Jersey.

Droits supplémentaires. La présente garantie vous procure des droits particuliers reconnus par la loi. Vous pouvez aussi avoir d'autres droits qui varient selon l'État ou la province.

La présente garantie écrite est la seule garantie offerte par Brizo Kitchen & Bath Company et elle n'est pas transférable.

Si vous avez des questions ou des préoccupations concernant notre garantie, veuillez communiquer avec nous de la manière indiquée ci-dessus ou visiter notre site Web à l'adresse www.brizo.com.
© 2022 Division de Masco Indiana