

BRIZO®

RAINCAN SHOWERHEAD

■ Single-Function Square Raincan Showerhead

FEATURES:

- Touch-Clean® Nozzles

STANDARD SPECIFICATIONS:

- Maximum 1.75 gpm @ 80 psi, 6.6 L/min @ 550 kPa (81399▲)
- Maximum 2.5 gpm @ 80 psi, 9.5 L/min @ 550 kPa (81399▲-2.5)
- Standard 1/2" pipe fittings. Wrench flats for tightening.
- Solid fabricated brass showerhead
- Showerhead is intended for overhead raincan orientation. Ball connector rotates and pivots.
- Finished spray face

WARRANTY

- Parts and Finish – Lifetime limited warranty; or for commercial purchasers, 10 years for multi-family residential (apartments and condominiums) and 5 years for all other commercial uses, in each case from the date of purchase.
- Electronic Parts and Batteries (if applicable) – 5 years from the date of purchase; or for commercial purchasers, 1 year from the date of purchase. No warranty is provided on batteries.



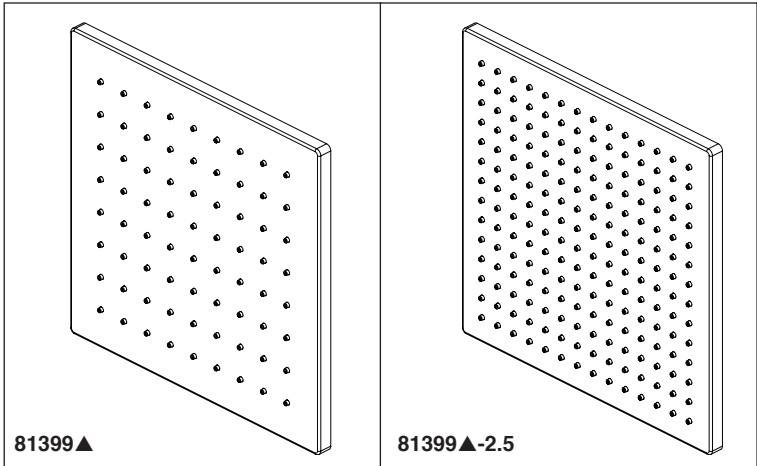
COMPLIES WITH:

- ASME A1 12.18.1 / CSA B125.1
- EPA WaterSense® - Applies to 81399▲ only

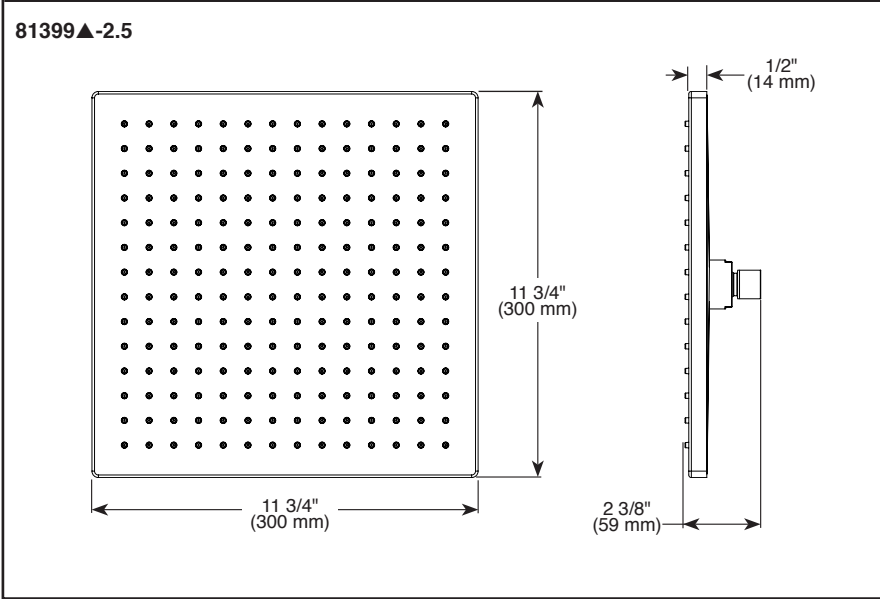
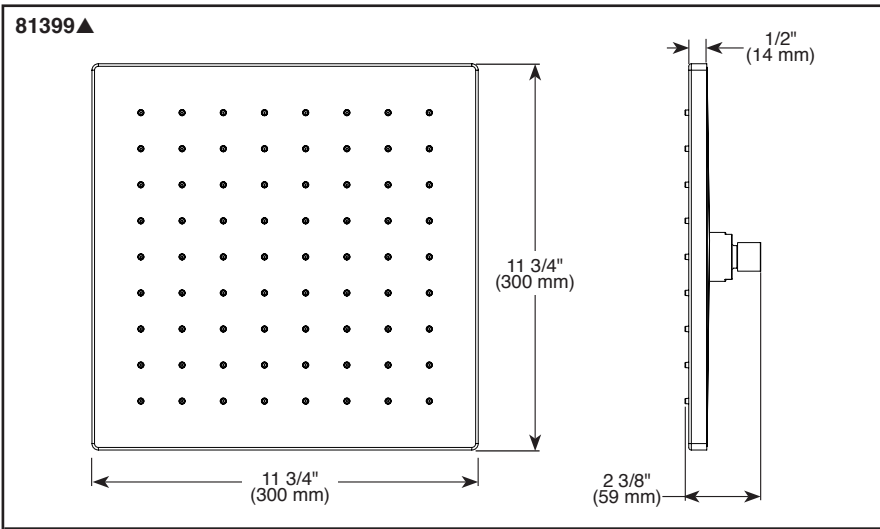
Spray Pattern



Soft Rain Spray



Submitted Model No.: _____
 Specific Features: _____



▲ Designate proper finish suffix

Brizo Kitchen & Bath Company reserves the right (1) to make changes in specifications and materials, and (2) to change or discontinue models, both without notice or obligation. Dimensions are for reference only. See current full-line price book or www.brizo.com for finish options and product availability.