

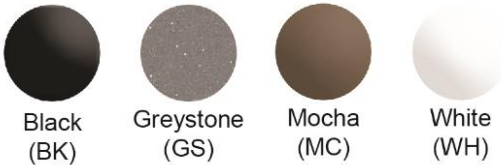
PRODUCT SPECIFICATIONS

Elkay Quartz Classic® 33" x 18-1/2" x 9-1/2", Equal Double Bowl Undermount Sink Kit with Filtered Faucet. Sink is molded with up to 80% natural quartz and high performance acrylic resins that are non-porous providing superior heat, scratch, fade and stain resistance. Naturally sound deadening and Rear Center drain placement.



| | |
|------------------------------|--|
| Installation Type: | Sink Kits |
| Material: | Quartz |
| Finish: | Black (BK), Greystone (GS), Mocha (MC), White (WH) |
| Number of Bowls: | 2 |
| Sink Dimensions: | 33" x 18-1/2" x 9-1/2" |
| Bowl 1 Dimensions: | 14-1/4" x 16-3/16" x 9-1/2" |
| Bowl 2 Dimensions: | 14-1/4" x 16-3/16" x 9-1/2" |
| Drain Size: | 3-5/8" (92mm) |
| Drain Location: | Rear Center |
| Minimum Cabinet Size: | 36" |
| Mounting Hardware: | Included |
| Template Included: | Yes |
| Cutout Template #: | 1000003496 |

Template is available for download at [elkay.com](#). CAD software will be required to open the template.



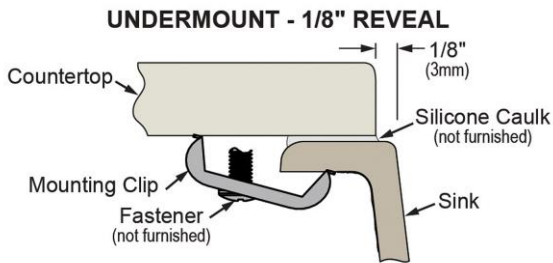
Included with Product: Faucet LKAV7051FCR with Filter ERF750, Drain LKQS35, Drain LKQD35 and x2 Bottom Grid LKOBG1516SS

AMERICAN PRIDE. A LIFETIME TRADITION. Like your family, the Elkay family has values and traditions that endure. For almost a century, Elkay has been a family-owned and operated company, providing thousands of jobs that support our families and communities.

Product Compliance: CSA B45.5/IAPMO Z124
Faucet: ASME A112.18.1/CSA B125.1 NSF 61 NSF 372 (lead free)
Accessory: ASME A112.18.2/CSA B125.2 NSF 42 NSF 53

[Clean and Care Manual \(PDF\)](#)
[Installation Instructions \(PDF\)](#)
[Warranty \(PDF\)](#)

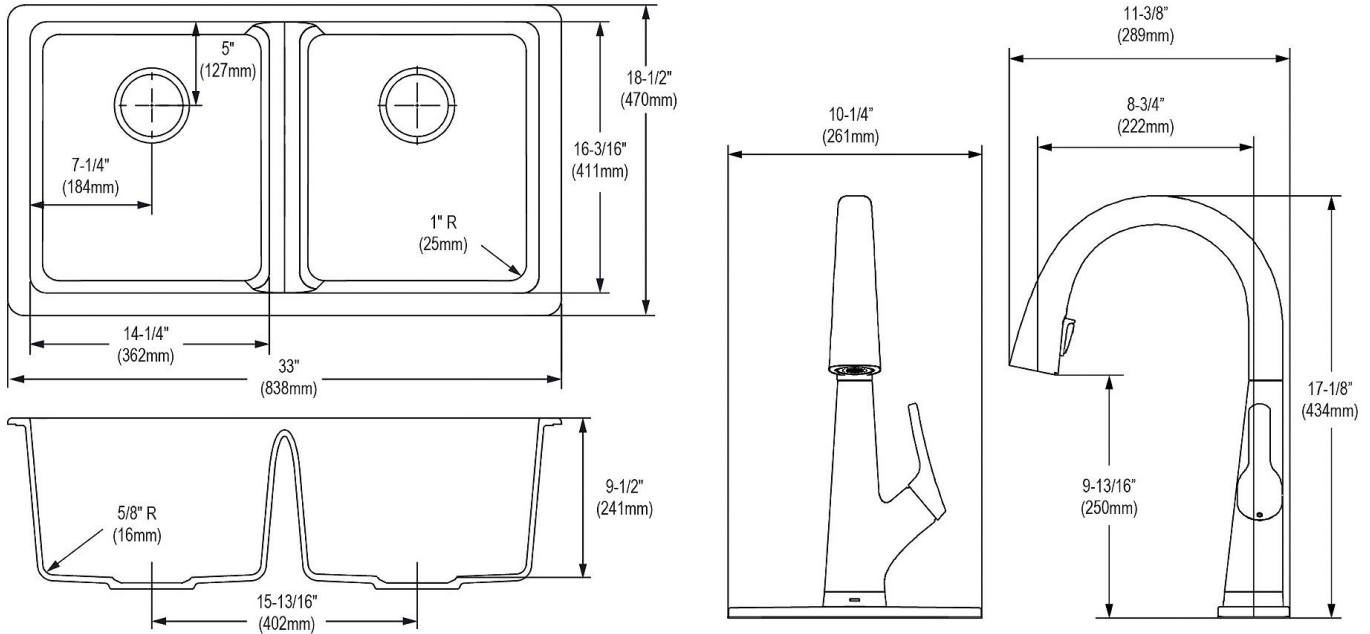
Installation Profile:






Designed to affix to the underside of any solid surface countertop.

PART: _____ QTY: _____
 PROJECT: _____
 CONTACT: _____
 DATE: _____
 NOTES: _____
 APPROVAL: _____

In keeping with our policy of continuing product improvement, Elkay reserves the right to change product specifications without notice. Please visit [elkay.com](#) for the most current version of Elkay product specification sheets. This specification describes an Elkay product with design, quality, and functional benefits to the user. When making a comparison of other producers' offerings, be certain these features are not overlooked.



| Optional Accessories | | |
|------------------------------|---|---|
| LKCBEG1516HW | Elkay Hardwood 15-5/16" x 17-3/16" x 1" Cutting Board Spec Sheet (PDF) |  |
| LK99 | Elkay Deluxe 3-1/2" Drain Type 304 Stainless Steel Body Strainer Basket Rubber Seal and Tailpiece Spec Sheet (PDF) |  |
| LKWRB1516SS | Elkay Stainless Steel 11-7/8" x 13-13/16" x 6-15/16" Rinsing Basket Spec Sheet (PDF) |  |

In keeping with our policy of continuing product improvement, Elkay reserves the right to change product specifications without notice. Please visit elkay.com for the most current version of Elkay product specification sheets. This specification describes an Elkay product with design, quality, and functional benefits to the user. When making a comparison of other producers' offerings, be certain these features are not overlooked.