

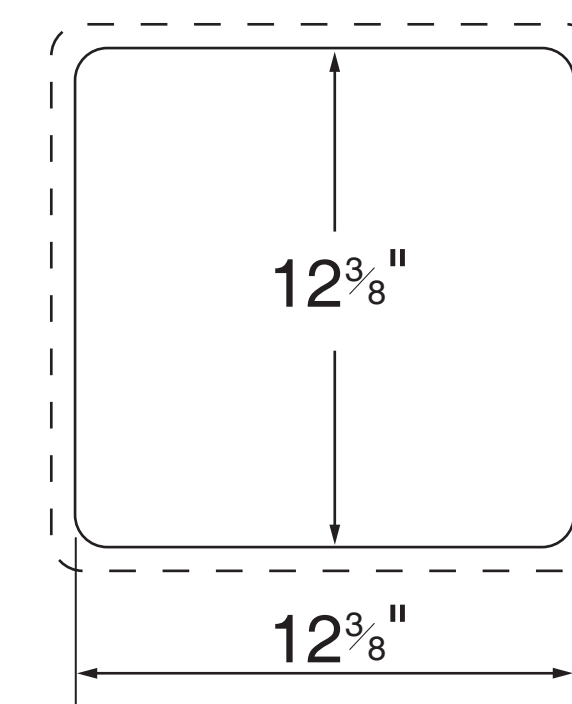
INSTRUCTIONS FOR MOUNTING 13-710 LAVATORY

1. Use straightedge rule to make sure countertop is perfectly flat in both length and width.
2. Mark center lines for location of lavatory in slab or countertop.
3. Cut out template at dotted lines and with center line arrows as a guide, mark outside line on countertop.
4. Cut off outer rim of template at solid lines and mark cutout opening on countertop.
5. Assemble faucet and drain in lavatory.
6. After opening is cut, apply two continuous beads of adhesive between the opening and the outside line, spread slightly with a flat tool.
7. Using the outside line as a guide in aligning the lavatory, set the lavatory in proper position.
8. Press down firmly on rim of lavatory to distribute adhesive.
9. Remove excess adhesive with a dry cloth.
10. If necessary work in additional adhesive around outer rim edge immediately.
11. Dampen a cloth with rubbing alcohol, and wipe fixture and countertop clean as soon as lavatory has been placed.

BROKEN LINE REPRESENTS
LAVATORY RIM WHEN SET

CUT OUT COUNTERTOP
ALONG SOLID LINE

PN _____, REV. 5-2015
THIS TEMPLATE IS FOR 13-821 LAVATORY



此框線為切割圖紙張大小尺寸：500*500mm