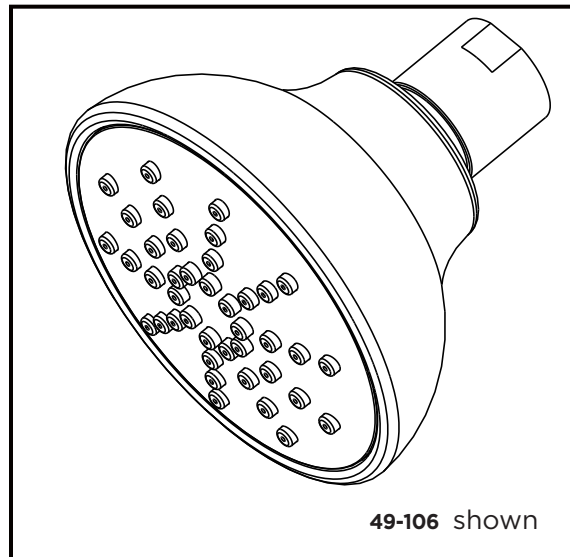




### High Efficiency Showerhead

#### Features:








- Traditional styling
- Single function
- 2.5gpm(9.5 L/min) / 2.0gpm (7.6 L/min) / 1.75gpm (6.6 L/min) /1.5gpm(5.7 L/min) maximum @ 80 psi
- Chrome, brushed nickel or Tumbled Bronze finishes available
- Brass ball joint
- Air Injection™, Dual Valve™ and Pressure Manifold™ technology
- Meet WaterSense criteria - conserve water without sacrificing performance (Except 49-106 series)

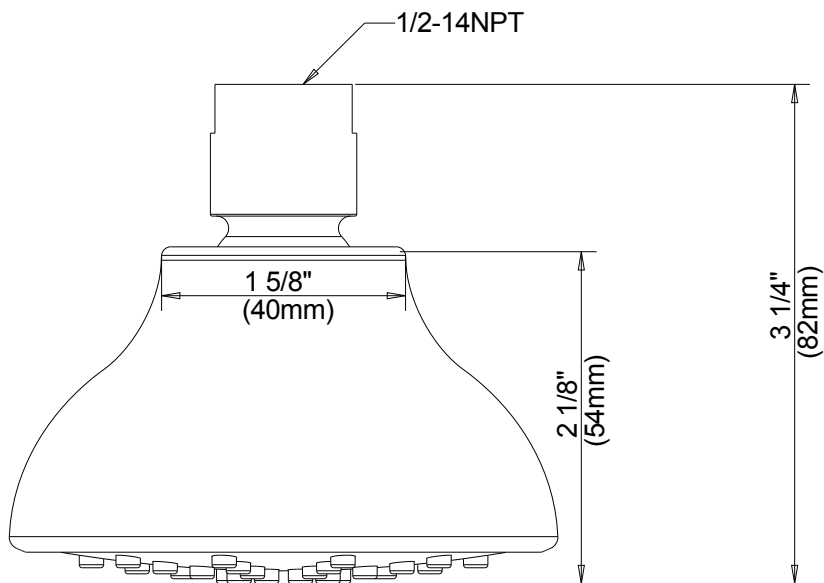


#### Standards & Certifications:

- IAPMO/cUPC
- Mass Code
- WaterSense

#### Catalog Numbers:

- 49-106** 2.5 gpm, Chrome
- 49-106-BN** 2.5 gpm, Brushed Nickel
- 49-106-BR** 2.5 gpm, Tumbled Bronze
- 49-107**  2.0 gpm, Chrome
- 49-107-BN**  2.0 gpm, Brushed Nickel
- 49-107-BR**  2.0 gpm, Tumbled Bronze
- 49-108**  1.75 gpm, Chrome
- 49-108-BN**  1.75 gpm, Brushed Nickel
- 49-108-BR**  1.75 gpm, Tumbled Bronze
- 49-109**  1.5 gpm, Chrome
- 49-109-BN**  1.5 gpm, Brushed Nickel



#### Prefixes Available:

None

#### Suffixes Available:

- BN Brushed Nickel
- BR Tumbled Bronze

Job Name	
Date	
Model Specified	
Quantity	
Customer	
Contractor	
Architect/engineer	