



VITREOUS CHINA

TOILET
SE-20-100

LAVATORIES

TOILETS

BIDETS / URINALS

CAST IRON

MAXWELL® SE Round Front Toilet

10" Rough-in

Features:

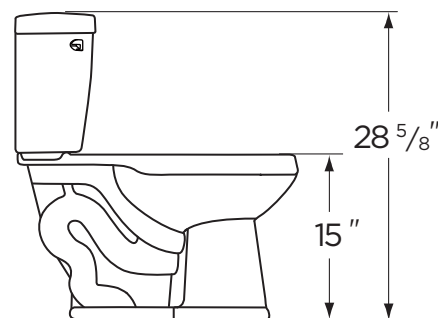
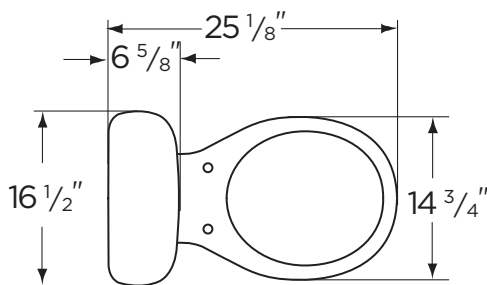
- 1.6 gpf/6 Lpf two-piece toilet
- Round Front bowl
- Dual-fed siphon jet
- 2" flush valve
- Color matched front tank lever (White only)
- Available in White only
- 2 bolt caps
- Seat not included

Dimensions:

- Height 28 5/8"
- Width 16 1/2"
- Depth 25 1/8"
- Rough-in 10"
- Water Surface from Rim 5"
- Trapway 1 3/4"
- Water Surface 9 5/8" x 7 5/8"
- Water Seal 2 1/4"
- Shipping Weight 70 lbs



Specifications: Bowl—#SE-21-152 Round Front Bowl Tank—#28-175



THIS FIXTURE QUALIFIES ACCORDING TO ASME TEST PROCEDURES AS A LOW CONSUMPTION WATER CLOSET WITH AN AVERAGE CONSUMPTION OF 1.6 gpf (6Lpf) OR LESS.



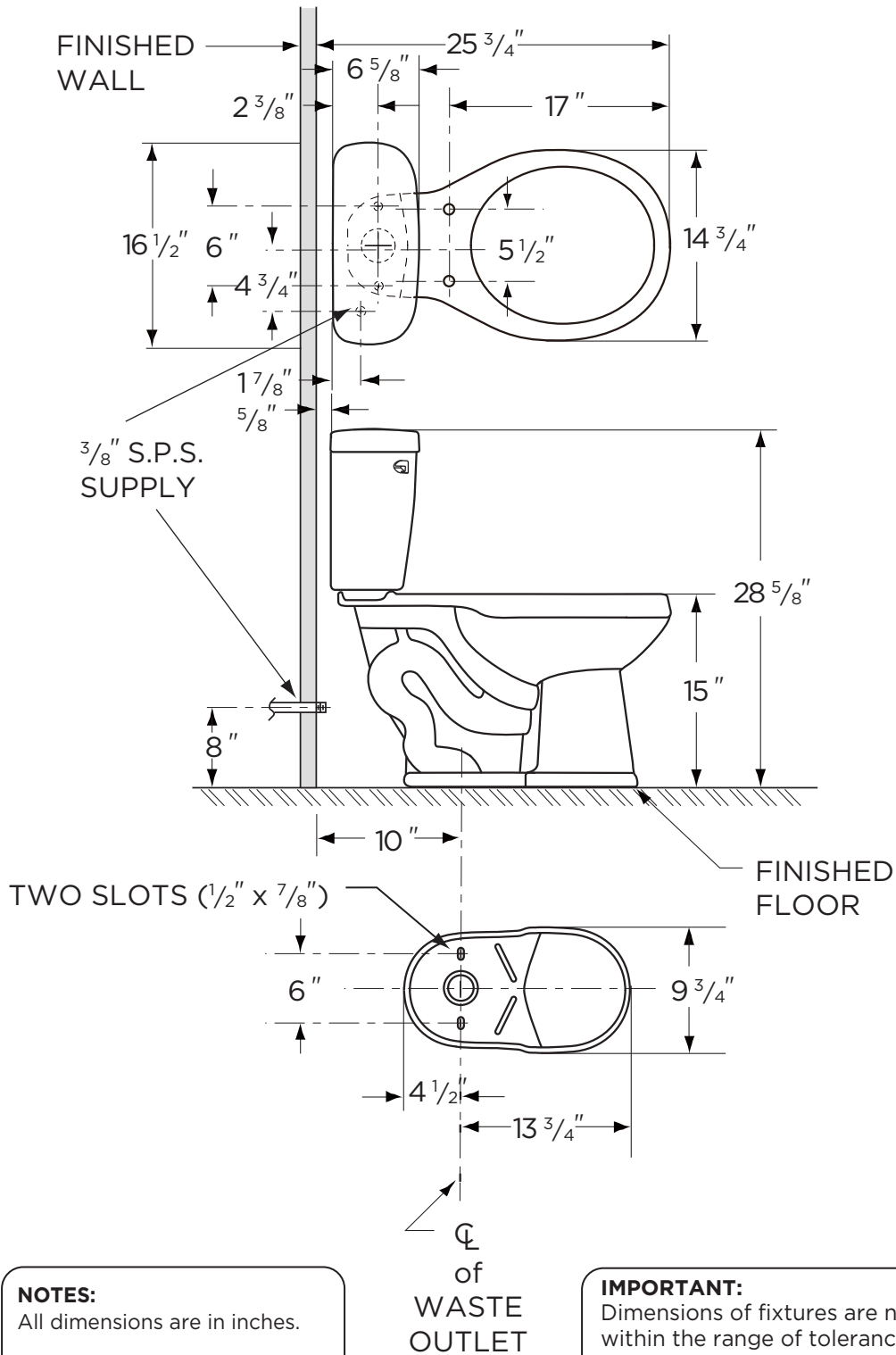
www.gerberonline.com

Job Name	
Date	
Model Specified	
Quantity	
Customer	
Contractor	
Architect/engineer	



1.6 gpf (6 Lpf) MAXWELL® SE TOILET

SE-20-100
Round Front, 10" Rough-in
(Bowl SE-21-152 with Tank 28-175)



NOTES:
All dimensions are in inches.
Illustrations may not be drawn to scale.

IMPORTANT:
Dimensions of fixtures are nominal and may vary within the range of tolerances established by ASME Standard A 112.19.2.
THIS FIXTURE QUALIFIES ACCORDING TO ASME TEST PROCEDURES AS A LOW CONSUMPTION WATER CLOSET WITH AN AVERAGE CONSUMPTION OF 1.6 gpf (6Lpf) OR LESS.