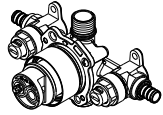
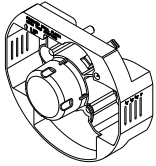


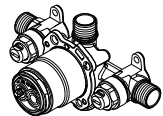
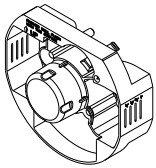
Tub and Shower Faucet Rough-In Valve Assembly

SPECIFICATIONS

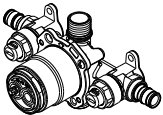
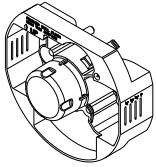
Use with trim kits for:



GS-504-S



GS-505-S



GS-507-S

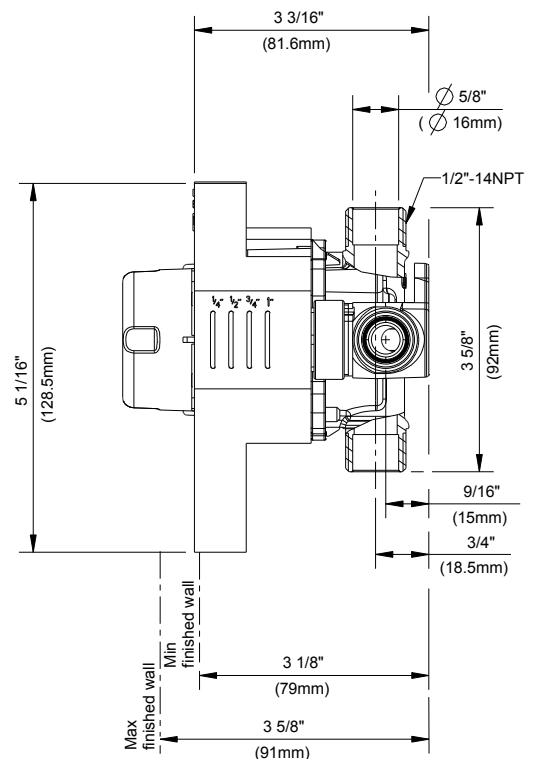
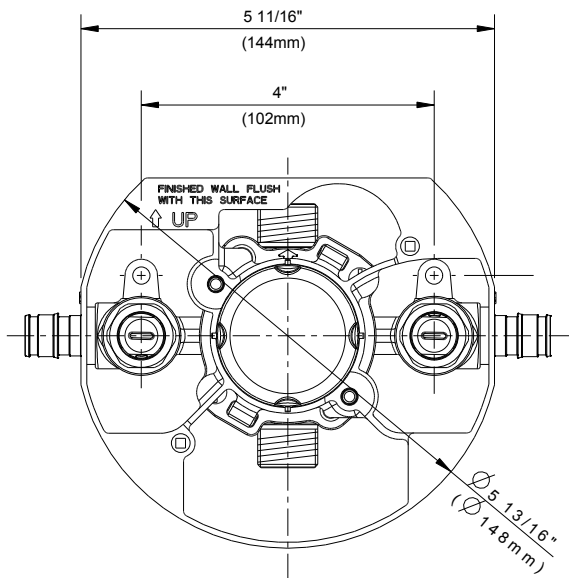
Features/Benefits

- Includes forged valve body, plaster guard and innovative pressure test cap
- Connection Type:
GS-504-S: 1/2" F1807 (crimp) PEX inlets, 1/2" IPS/sweat outlets
GS-505-S: 1/2" IPS/sweat inlets, 1/2" IPS/sweat outlets
GS-507-S: 1/2" F1960 (cold expansion) PEX inlets, 1/2" IPS/sweat outlets
- Includes 1/4 turn service stops
- Installed rough-in can be pressure tested to 150PSI (air or water), mixed or isolated inlets, using included pressure test plug
- Accommodates standard, back-to-back, and thin wall installations
- Integrated, easy-access mounting system
- Treysta cartridge ships with trim, sold separately

Catalog Numbers

- GS-504-S F1807 inlets with stops
- GS-505-S IPS/sweat inlets with stops
- GS-507-S F1960 inlets with stops

Standards & Certifications



Submittal Information:

Name: _____
 Location: _____

Contractor: _____
 Contact #: _____