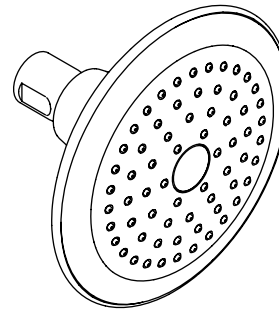


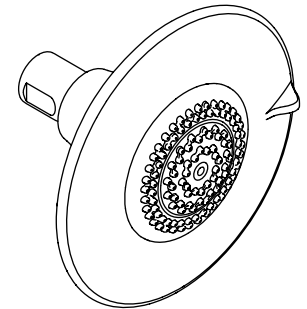
**Features**

- Optimized sprayface for maximum performance
- MasterClean™ spray nozzles to prohibit mineral build-up for easy cleaning
- 1/2" - 14 NPT connection
- Single-function showerhead with Katalyst™ Spray Technology (patent pending)
- Single-function showerhead with air induction ball joint (patent pending)
- Single-function showerhead with 2.5 gallon (9.5 L) per minute flow rate
- Multi-function showerhead with wide-coverage, medium-coverage, and forceful utility spray options
- Multi-function showerhead with 2.0 gallon (7.5 L) per minute flow rate

**SHOWERHEAD  
K-45123  
ALSO K-45125**



**K-45123**



**K-45125**

**Codes/Standards Applicable**

Specified model meets or exceeds the following:

- ASME A112.18.1/CSA B125.1
- Energy Policy Act of 1992 [K-45123]
- EPA WaterSense® [K-45125]

**Colors/Finishes**

- CP: Polished Chrome
- Other: Refer to Price Book for additional colors/finishes

**Accessories**

- CP: Polished Chrome
- PB: Vibrant® Polished Brass
- Other: Refer to Price Book for additional colors/finishes

**Specified Model**

| Model   | Description                                                          | Color/Finish                |                                      |
|---------|----------------------------------------------------------------------|-----------------------------|--------------------------------------|
| K-45123 | Showerhead – single-function (Conforms to Energy Policy Act of 1992) | <input type="checkbox"/> CP | <input type="checkbox"/> Other _____ |
| K-45125 | Showerhead – multi-function (WaterSense certified)                   | <input type="checkbox"/> CP | <input type="checkbox"/> Other _____ |

| Recommended Accessories |                                                           |                             |                             |                                      |
|-------------------------|-----------------------------------------------------------|-----------------------------|-----------------------------|--------------------------------------|
| K-7397                  | Shower arm and flange – 7-1/2" (19.1 cm) length, 1/2" NPT | <input type="checkbox"/> CP | <input type="checkbox"/> PB | <input type="checkbox"/> Other _____ |
| K-45129                 | Shower arm and flange – 5-3/8" (13.7 cm) length, 1/2" NPT | <input type="checkbox"/> CP |                             | <input type="checkbox"/> Other _____ |

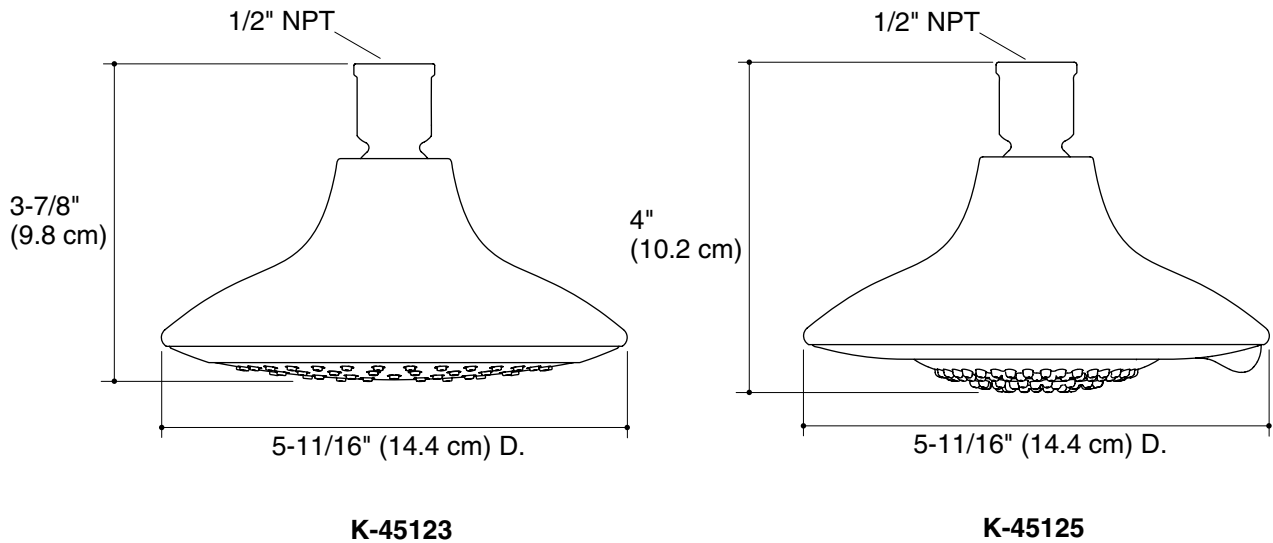
**Product Specification**

Showerhead shall have optimized sprayface for maximum performance. Showerhead shall include MasterClean spray nozzles to prohibit mineral build-up for easy cleaning. The showerhead shall have 1/2"-14 NPT connection. The single-function showerhead shall have Katalyst spray technology with air induction ball joint (patent pending). The single-function showerhead shall have a 2.5 gallon (9.5 L) per minute flow rate. The multi-function showerhead shall have a 2.0 gallon (7.5 L) per minute flow rate. The multi-function showerhead shall have wide-coverage, medium-coverage, and forceful utility spray options. Showerhead shall be Kohler Model K-\_\_\_\_-\_\_\_\_.

# ALTEO™

## Installation Notes

Install this product according to the installation guide.



## Product Diagram