

Features

- Includes face plate with Industrial handle.
- Single handle controls temperature setting.
- Supplied with metal Industrial handle.
- Complements the Components faucet and accessory collections.

Material

- Premium material construction with metal handle ensures reliability and durability.
- KOHLER finishes resist corrosion and tarnishing, exceeding industry durability standards.

Installation

- Trim set requires valve to complete installation.
- Patented K-joint installation technology ensures consistent trim appearance, regardless of variability in valve rough-in.

Required Accessories

K-2972-KS 1/2" Thermostatic Mixing Valve

or

K-2975-KS 3/4" Thermostatic Mixing Valve



Codes/Standards



ASME A112.18.1/CSA B125.1

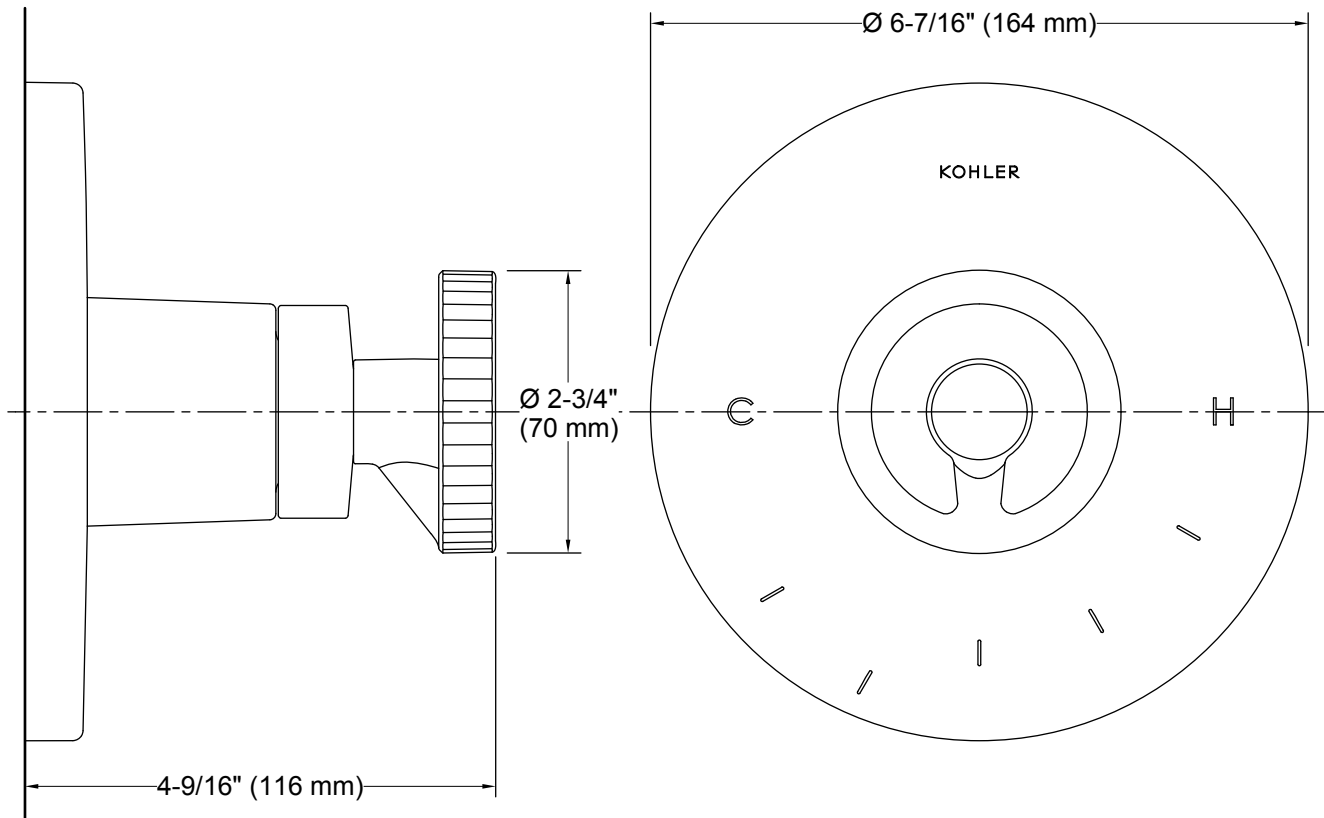
KOHLER[®] Faucet Lifetime Limited Warranty

See website for detailed warranty information.

Available Color/Finishes

Color tiles intended for reference only.

Color	Code	Description
	CP	Polished Chrome
	BL	Matte Black



Technical Information

All product dimensions are nominal.

Notes

Install this product according to the installation instructions.