

### Features

- Made from premium materials that withstand high-volume usage
- Constructed of vitreous china
- 20" x 18"
- Wall-mount installation
- Single-hole drilling
- Drilled for concealed arm carrier
- With sealed overflow for commercial hospitals jobs

### Recommended Products/Accessories

K-8998 P-Trap

### Included Components

Additional Components:

Hanger(s)



ADA

CSA B651

OBC

### Codes/Standards

ASME A112.19.2/CSA B45.1

ADA

ICC/ANSI A117.1

CSA B651

OBC

### KOHLER® One-Year Limited Warranty

See website for detailed warranty information.

### Available Colors/Finishes

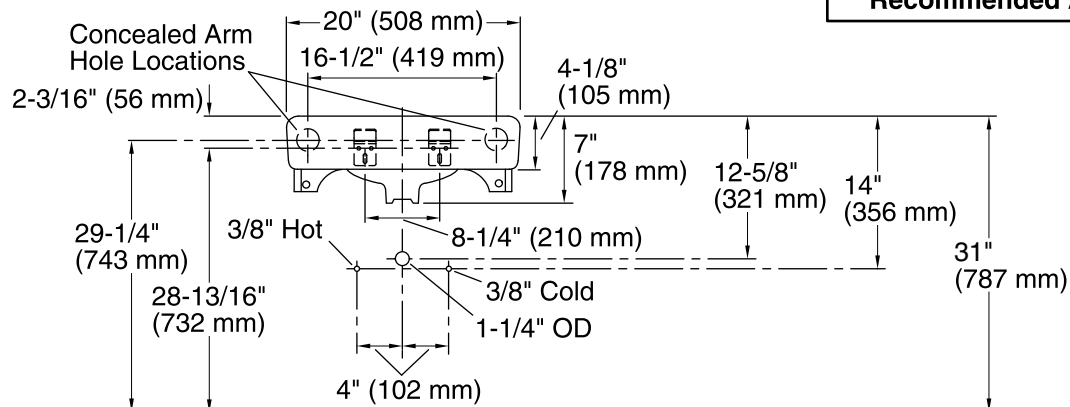
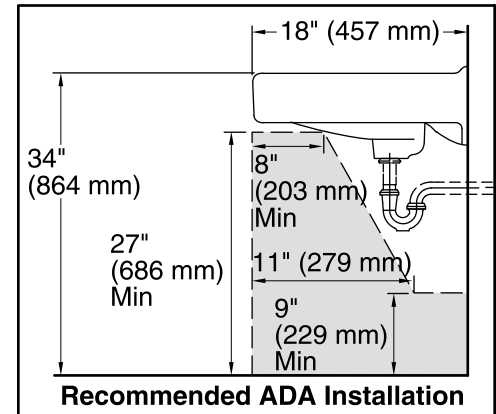
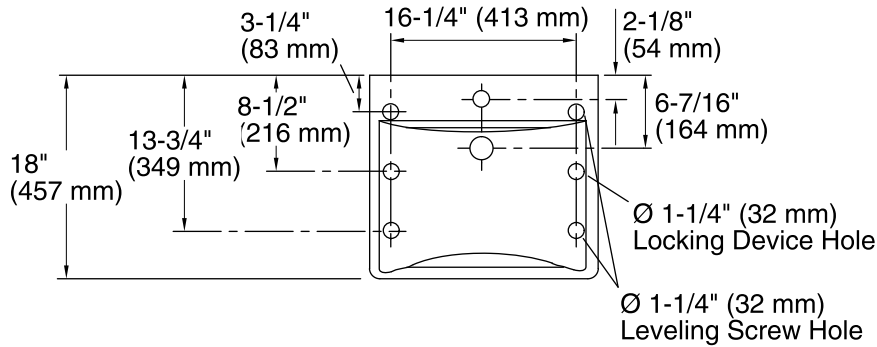
*Color tiles intended for reference only.*

Color	Code	Description
-------	------	-------------



0

White



**Standard Installation**

### Technical Information

All product dimensions are nominal.

Bowl configuration:	Single
Installation:	Wall-mount
Bowl area (Only):	Length: 18" (457 mm) Width: 13" (330 mm) Water depth: 4-7/8" (124 mm)
Number of deck holes:	1
Faucet hole(s):	1-3/8" (35 mm)
Drain hole:	1-3/4" (44 mm)

### Notes

Install this product according to the installation instructions.

ADA, OBC, CSA B651 compliant when installed to the specific requirements of these regulations.