



**Kelston®**

1.28 gpf toilet tank, left-hand trip lever  
**K-32808**

### Features

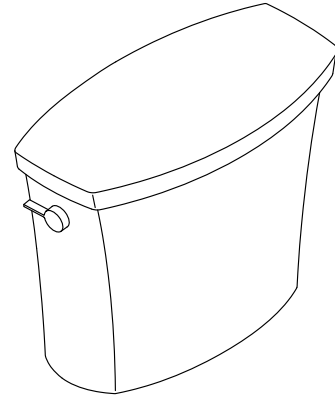
- 1.28 gpf (4.8 lpf).
- Left-hand Polished Chrome trip lever.
- Coordinates with other products in the Kelston collection.
- Combines with the K-32809 bowl to create a complete K-32810 toilet.

### Technology

- AquaPiston® canister optimizes the flow out of the tank, harnessing gravity and the natural powerful reducing cascade of water to increase the power and effectiveness of the flush.
- Easy-to-flush canister design requires less force to actuate than a 3" (76 mm) flapper, and has 90% less exposed seal material which resists conditions that cause wear, tear, shrinkage and swelling.

### Installation

- Supply line sold separately.

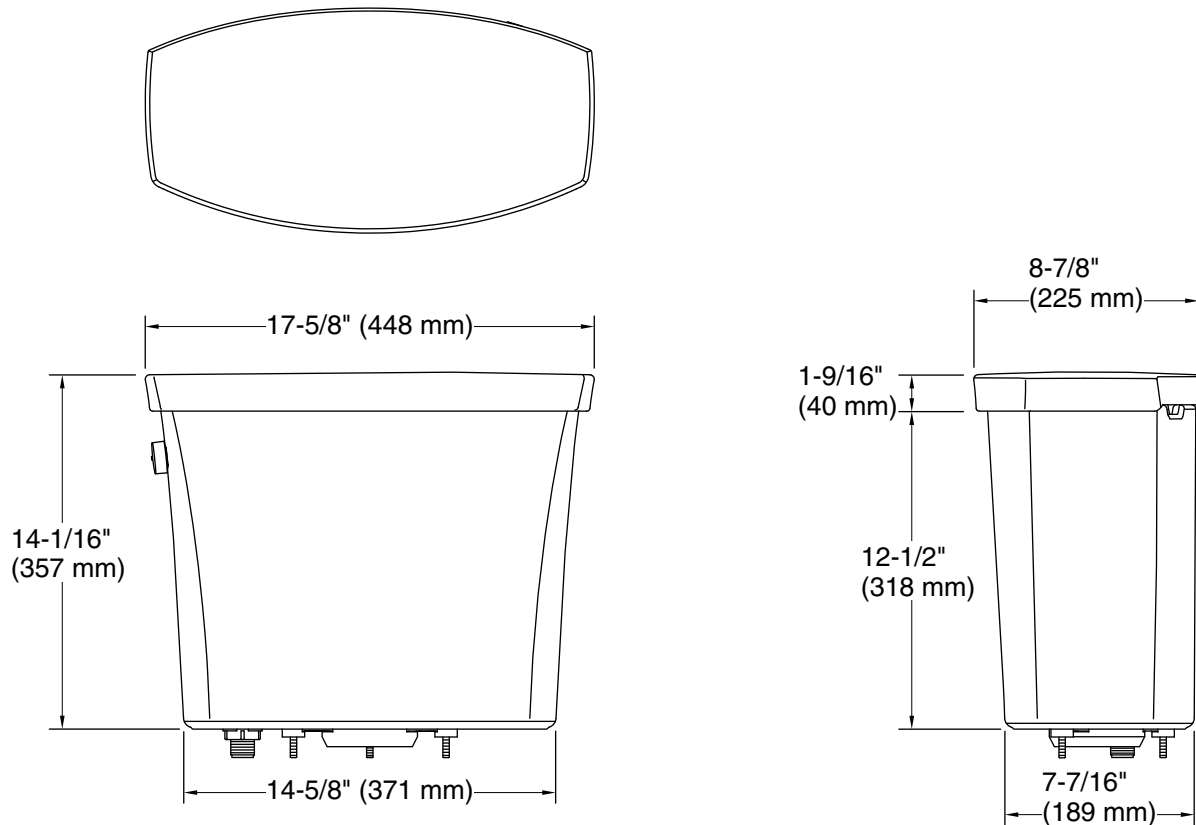


### Codes/Standards

ASME A112.19.2/CSA B45.1

### KOHLER® Toilets and Seats Limited Warranty

See website for detailed warranty information.



## Technical Information

All product dimensions are nominal.

Toilet type: Bowl-mount

Flush type: AquaPiston

Water Consumption

Full: 1.28 gpf (4.8 lpf)

## Fixture Supply Requirements

Min static pressure: 15 psi (103.4 kPa)

Max static pressure: 80 psi (551.6 kPa)

## Notes

Install this product according to the installation instructions.