

Features

- 36-inch minimum base cabinet width.
- Double equal bowls.
- 9-inch depth.
- Three faucet holes with one accessory hole to the right.
- Smart Divide® features a lower bowl divider that increases workspace and versatility.
- Includes installation hardware and bottom sink rack.
- SilentShield® sound-absorption technology offers quieter performance.

Material

- Handcrafted from 18-gauge stainless steel.

Installation

- Top-mount or under-mount.

Recommended Products/Accessories

- K-6641 Sink Rack
- K-6377 Sponge Caddy
- K-6378 Kitchen Brush Caddy
- K-6379 Kitchen Squeegee
- K-6382 Disinfecting Wipes Dispenser
- K-6383 Soap Dispenser
- K-8619 Flexible Kitchen Mat
- K-8801 Sink Strainer
- K-8799 Sink Strainer
- K-8624 Dish Scraper

Optional Products/Accessories

- K-6429 Utility Rack
- K-6432 Saddle Towel Bar
- K-6434 Saddle Utility Rack
- K-6667 Wood Cutting Board
- 1177161 Installation Clip Kit

Included Components

Product consists of:

- 1130570 Hardware Kit, Self-Rimming
- K-6641 Sink Rack

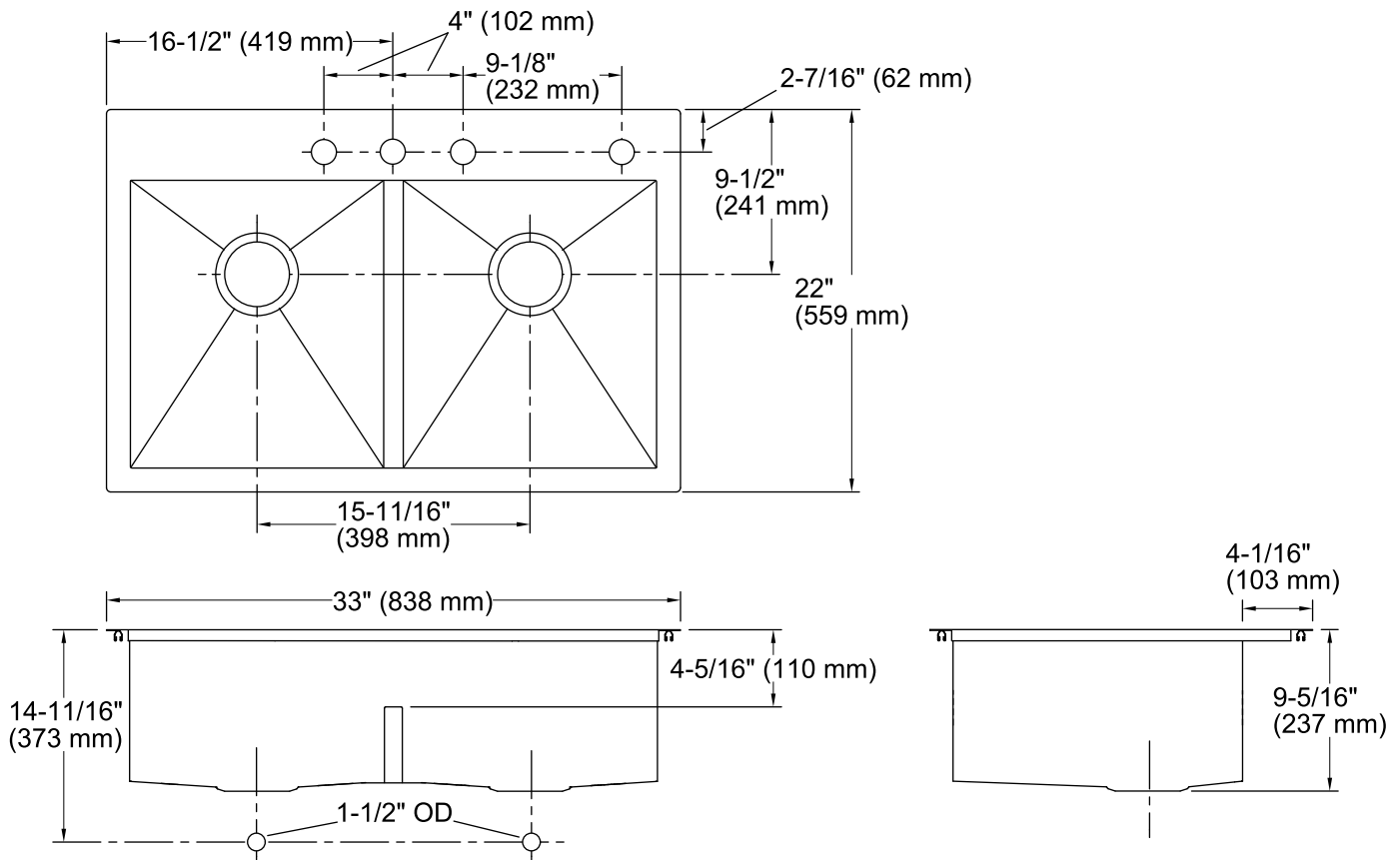


Codes/Standards

ASME A112.19.3/CSA B45.4

Lifetime Limited Warranty for KOHLER® Stainless Steel Sinks

See website for detailed warranty information.



Technical Information

All product dimensions are nominal.

Bowl configuration:	Double equal
Installation:	Top-mount, Under-mount
Min. base cabinet width:	36" (914 mm)
Bowl area (Left):	Length: 14-9/16" (370 mm) Width: 16-9/16" (421 mm) Bowl depth: 9" (229 mm) Water depth: 4-11/16" (119 mm)
Bowl area (Right):	Length: 14-9/16" (370 mm) Width: 16-9/16" (421 mm) Bowl depth: 9" (229 mm) Water depth: 4-11/16" (119 mm)
Number of deck holes:	4
Faucet hole spacing:	4" (102 mm)
Faucet hole(s):	1-7/16" (37 mm)
Drain hole:	3-5/8" (92 mm)
Template:	1130821-7, required, included

Notes

Install this product according to the installation instructions.
Allow 3/4" (19 mm) clearance beyond the back of the bowl for the wood cutting board (optional accessory).