

Features

- 17-gauge brass construction.
- Brass tailpiece.
- Adjustable trip lever pop-up drain.
- 1-1/2" connection.
- For above- or through-the-floor installations.
- For use with K-1166 sok® bath.



Codes/Standards

ASME A112.18.2/CSA B125.2


KOHLER® One-Year Limited Warranty

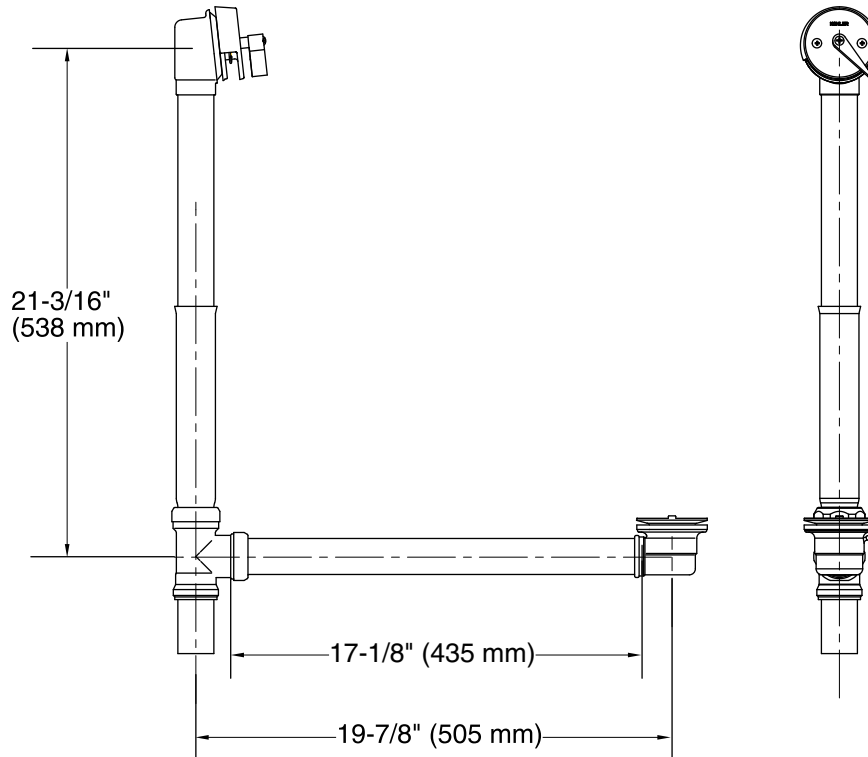
See website for detailed warranty information.

Available Colors/Finishes

Color tiles intended for reference only.

Color	Code	Description
-------	------	-------------

	CP	Polished Chrome
	SN	Vibrant® Polished Nickel
	AF	Vibrant® French Gold
	G	Brushed Chrome
	BN	Vibrant® Brushed Nickel
	2BZ	Oil-Rubbed Bronze



Technical Information

All product dimensions are nominal.

Notes

Install this product according to the installation guide.