



Buy it for looks. Buy it for life.®

Specifications

DESCRIPTION

- Metal construction with chrome plated finish
- Includes showerhead, arm, flange and a slip fit diverter tub spout
- Supplied with adjustable temperature limit stop

OPERATION

- Lever style handle
- Temperature operates through an 180° arc of handle travel (full cold to full hot)

FLOW

- Showerhead is limited to 2.5 gpm (9.5 L/min) Max

CARTRIDGE

- 1225 cartridge design
- Nonmetallic/nonferrous and stainless steel materials
- Accommodates back to back installations

STANDARD

- Third party certified to meet CSA B-125, ASME A112.18.1M, ANSI A117.1 and all applicable requirements referenced therein

WARRANTY

- Lifetime limited warranty against leaks, drips and finish defects to the original consumer purchaser
- 5 year warranty if used in commercial installations



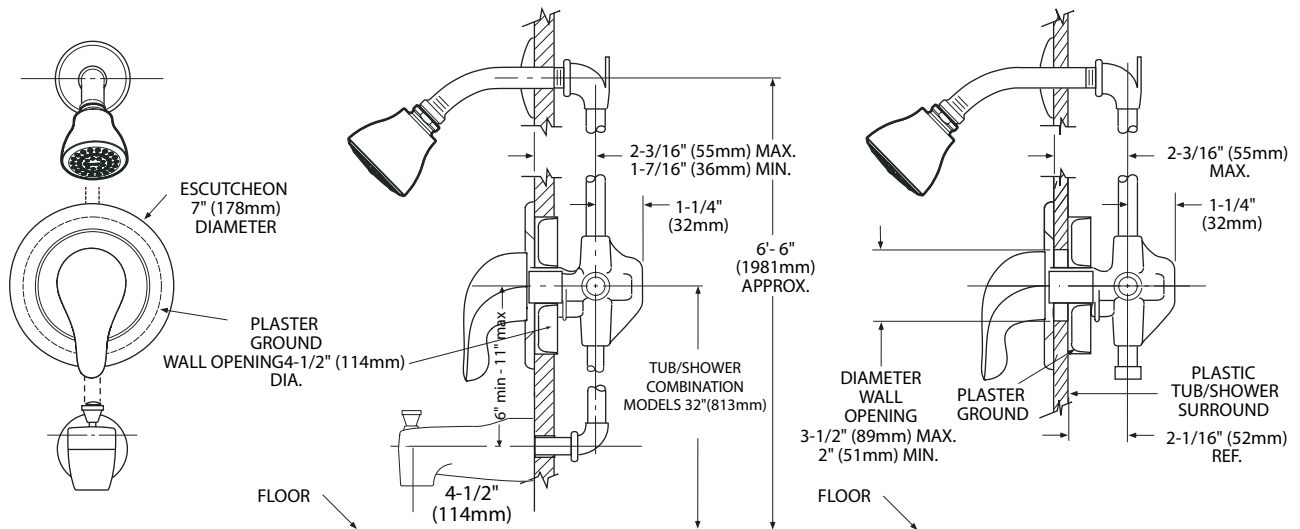
CHATEAU®

Single-Handle Tub/Shower Trim Kit

Model: TL471

(Bulk Packed 12 per carton)

There is more than 1 version of this model. Page down to identify the version you have.



THICK WALL APPLICATION

THIN WALL APPLICATION

CRITICAL DIMENSIONS

(DO NOT SCALE)

FOR MORE INFORMATION CALL: 1-800-BUY-MOEN

www.moen.com