



Enjoy the experience

One Piece ADA/Barrier Free Showers

36" ADA AcrylX™ Transfer Showers

60" ADA AcrylX™ Roll-In Showers

Installation Instructions

Tools & Materials you might need for proper installation

Materials:

- 2 - 50 lb bags of thin set
- 2 - 5 gallon buckets
- 2.5 gallons of water
- 20 - 1.25" wood screws
- 3 - 8' 2x4
- 1 - 24" piece of 2x4
- 2 large soft clothes (to cover the shorter 2x4 pieces)
- Wooden Shims
- 1 tube of non-shrink adhesive (100% silicone or equivalent)
- Caulking gun
- 1 - gallon of water for testing the draft of the drain

Tools:

- Grout mixer
- 3/4" trowel
- Claw hammer
- Drill

- 1/8" drill bit
- Screwdriver
- Screwdriver attachment to match screws
- 4' level
- 2' level
- Torpedo level
- Caulking gun
- Black marker (to mark the threshold)
- Drain

Helpful Hints for Installation:

- 2 - 5.5" pieces of PVC - These can be used to lay the product face down and roll it up to the framing pocket rather than sliding or picking it up.
- Please place cardboard from the carton into the bottom of the shower during installation to prevent damage to the finished surface.
- When placing shower into the frame pocket, you can use the handle of the hammer to align the pipe with the drain hole.

NOTE: INSTALLATION OF THESE SHOWER UNITS MAY BE SUBJECT TO CODE APPROVAL. Refer to job prints and/or consult with architect to see if your installation must comply with ADA.

These shower units install differently from typical residential showers. Installation may need to conform to requirements of the Americans With Disabilities Act (ADA) and other local codes. These requirements relate to the height of the threshold in relation to the finished floor. Certain showers will install directly on the sub floor and other will require a recess or pit. These showers require special preparation of the installation site, and very specific installation procedures to assure the shower drains properly and meets code requirements.

QUESTIONS? Please phone 1.800.759.7744 ext: 29 for additional information.

STORAGE & HANDLING

Do not store units out of doors.- Keep out of sunlight and exposure to weather.

1. Most handling damage is the result of impact blows to the back side of the shower units.
2. Stress cracks can develop when shipping boards are removed before unit is positioned for final installation in bathroom.
3. Placing objects inside of tub can cause scratches, abrasions or nicks to the finished surface.
4. Storing units outside right-side up can cause the sunlight to discolor the acrylic finish. Also, unit becomes unstable and is easily knocked over by wind or bumping.
5. The back side of the shower unit is not waterproof. Unit must be stored so that water will drain off of unit and not accumulate in any one spot. Water can permeate the back laminates and soak the glassed in wood supports causing bulges in the finished surface.
6. Never drag these units on any surface. Always transport the unit by hand using (2) people or a two-wheel dolly.
7. Never let these units drop from any height, not even an inch.



Enjoy the experience

One Piece ADA/Barrier Free Showers

36" ADA AcrylX™ Transfer Showers

60" ADA AcrylX™ Roll-In Showers

Installation Instructions

8. Never clean the shower finished surface with metal tools of any kind, including razors.

****Very Important for Showers with Thresholds 2 Inches or Less:**
(See Figure 1)

Showers stalls with thresholds of 2 inches or less must to be stored and installed with care. During storage this unit should sit as it is received. It should be store with a 2" x 4" block of some other type of material at each of the (4) points numbered above in the top view. These units do not have wooden bottoms to reinforce the floors as conventional showers have. By placing the unit on some type of blocking, the drain will not touch the floor. This will allow the draft of the floor to be maintained without the weight of the shower unit pushing the drain upward. The blocks should only be placed at the outside corner edges of the unit and should never be placed under the middle of the threshold. This procedure should only be used during storage and not during installation.

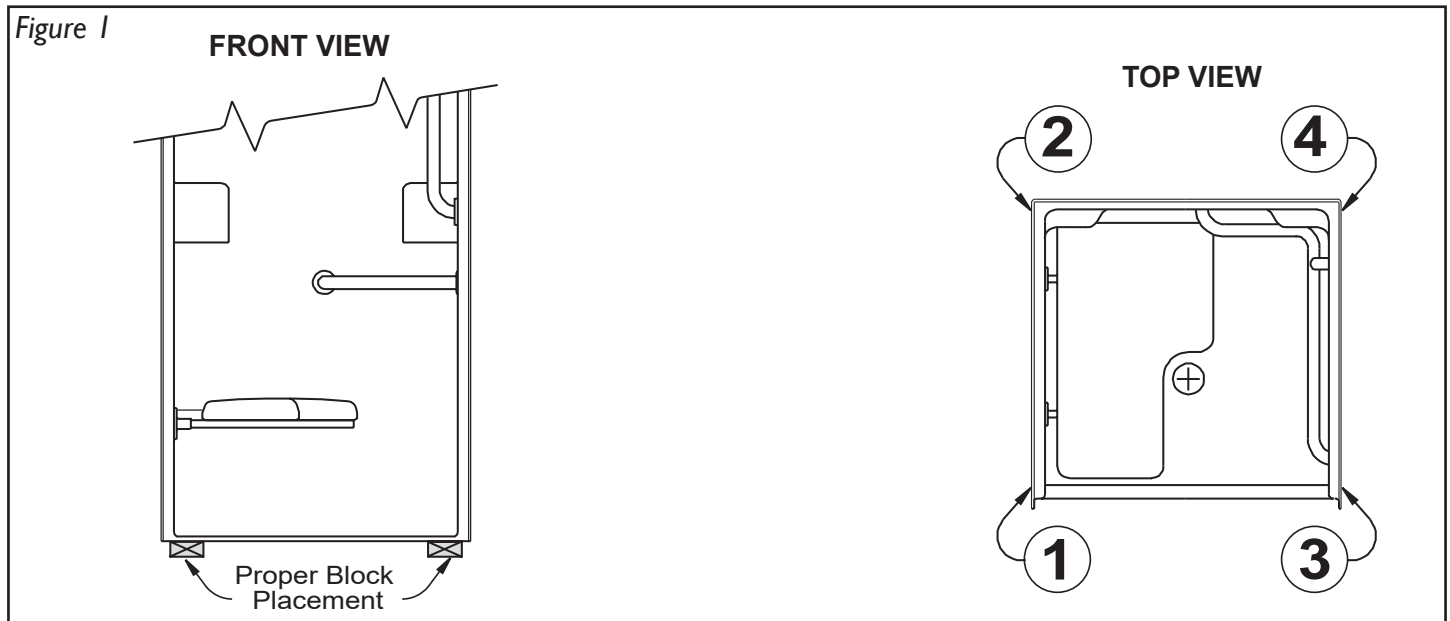
SHOWER THRESHOLD STYLES

ADA style showers have very specific code requirements. Showers with an inside Dimension of 36" are referred to as "Transfer Showers". Wheelchairs may roll up to these showers, and the occupant may "transfer" onto the seat of the shower. Since these showers are not large enough to roll a wheelchair into, the threshold height requirement is permitted to be 1/2 inch 90 degree vertical. Typically, these showers are

installed directly on the sub floor with no pit or recess. This style is illustrated in Figure 2.

ADA showers with a minimum inside Dimension of 60" wide x 30" in depth, are referred to as "Roll-In Showers". Typically, these showers have thresholds measuring between 3/4" and 2.0" tall. As the name implies, the shower must be installed so a person occupying a wheelchair may roll into the shower without restriction. Code requires the top of the shower threshold to be even with the floor of the room at the shower entry. To accomplish this, either construct a recessed pit to place the shower in, or raise the floor of the room to meet the shower threshold. The depth of the recessed pit should be calculated so the finished floor is level with the top of the shower threshold. See Figure 3.

Every Barrier Free installation requires a 10 inch diameter x 1/2" deep recess around the drain core. (See Figure 4 & Picture 1) This depth is necessary to assure the factory manufactured slope to the drain is maintained. Even if your installation is not ADA compliant, you will always need the 10 inch x 1/2 inch deep recess around the drain. Thin set mortar must be used for support under all the installations. In order to ensure proper draining of the unit, it is advised to:



MAAX[®]

Enjoy the experience

One Piece ADA/Barrier Free Showers

36" ADA AcrylX™ Transfer Showers

60" ADA AcrylX™ Roll-In Showers

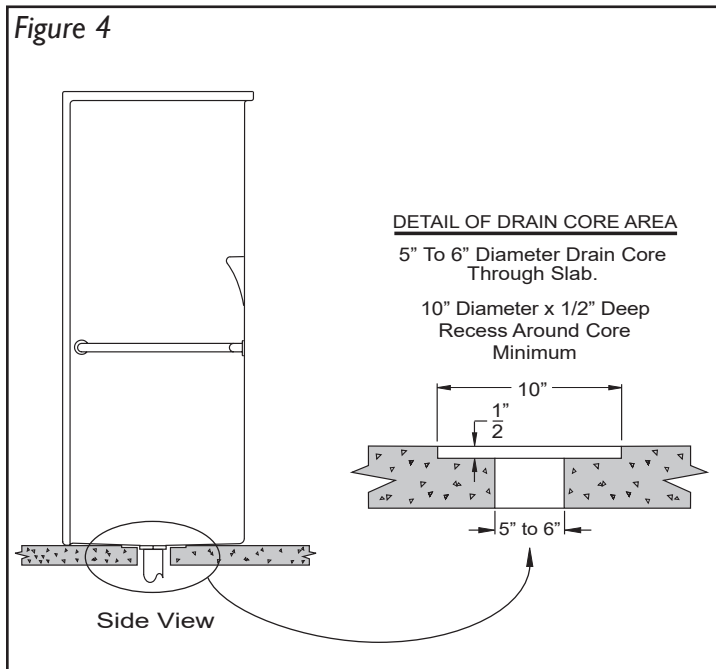
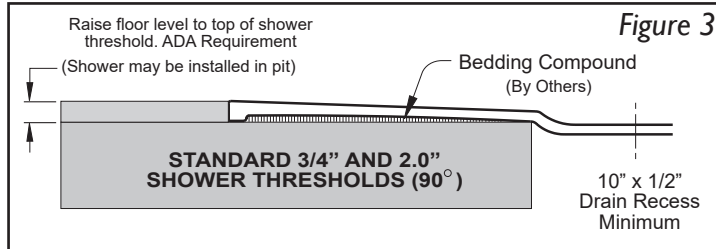
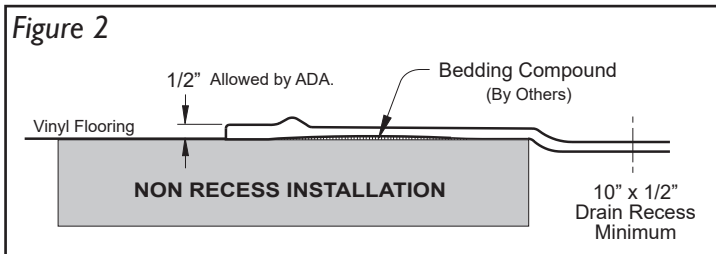
Installation Instructions

1. Core drill a diameter of 10" at a minimum depth of 1/2" on a concrete surface.

OR

2. Box out a diameter of 10" at a depth of 1/2" around the drain pipe.

Following these instructions will allow the unit to drain properly. This is absolutely necessary to comply with product warranty requirements for proper installation.



RECESS INSTALLATION

See Figure 5

This diagram illustrates a typical illustration for showers where RECESS IS NECESSARY with vertical thresholds 3/4" to 2" high. The recess allows the shower to be installed below the finished floor level.

The recess is deep enough so the shower threshold will be at the acceptable height above the finished floor.

An alternative to the recessed installation is to either build up the entire room floor to be even with the top of the threshold, or to construct a ramp to the shower entry.

NO RECESS INSTALLATION

See Figure 6

This diagram illustrates a typical installation for showers that do not require recessed installation to comply with ADA guidelines. This style shower is illustrated in Figure 2. They are for 36" x 36" inside dimension showers with vertical thresholds no higher than 1/2".

SHOWER FRAMING ENCLOSURE

Construct a framing enclosure for the shower you will be installing. To obtain shower dimensions and drain location, measure the shower you will be installing, view the dimensioned product drawing on the side wall of the shower; or use a dimensioned drawing provided by the contractor.



Enjoy the experience

One Piece ADA/Barrier Free Showers

36" ADA AcrylX™ Transfer Showers

60" ADA AcrylX™ Roll-In Showers

Installation Instructions

Shower dimensions are also available on the Maax website: www.maax.com

Review the SHOWER FRAMING DIAGRAM (Figure 12) of this manual. This illustrates a typical style shower enclosure. The framing may be wood studs or metal studs. When planning your enclosure, be sure to account for pit requirements, (if applicable). The use of a pit may need to be considered early in the construction process so the recess may be fabricated prior to any floor slab installation.

Plan the location of the shower drain and water supply lines. Since ADA or Barrier Free code requirements may be in effect, certain shower units may require a specific location of the water control valve. Plan to route the water supply lines to account for these specific code requirements.

It is recommended when planning the framing enclosure, to construct the width 1/4" wider than the shower you are installing. This will provide "wiggle room" should the shower be slightly over the width indicated in the dimensioned product drawing. Due to the nature of the materials involved, dimensions may vary +/- 1/2".

Take care when measuring and constructing the framing enclosure. Make certain the enclosure is square and plumb.

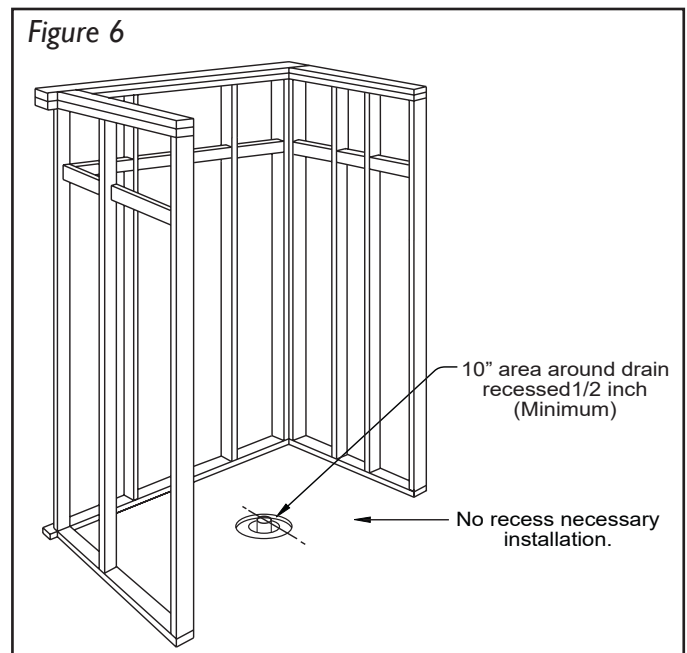
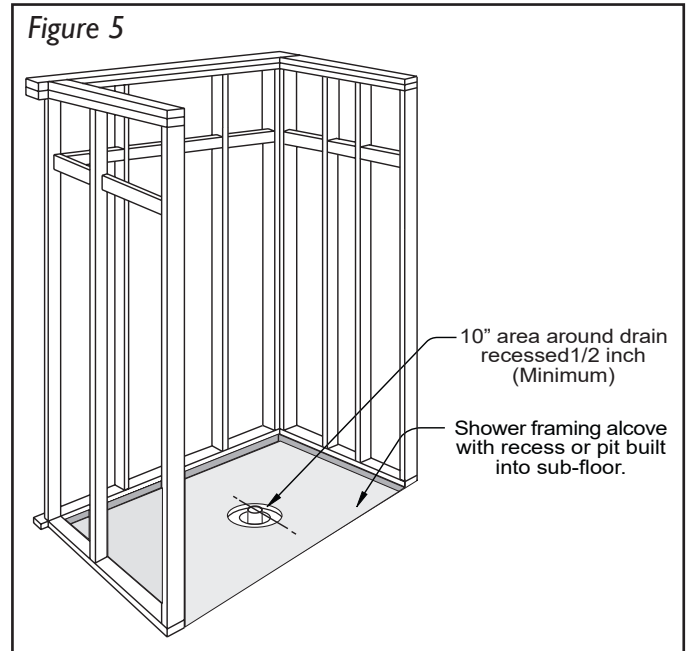
SHOWER INSTALLATION

INSTALLATION VARIABLES: DO NOT USE THIN-SET WHEN TEMPERATURES MAY DROP BELOW FREEZING. FREEZING CONDITIONS WILL AFFECT ADHESION AND RESULT IN AN IMPROPER SHOWER INSTALLATION.

These instructions apply to all units whether they are installed directly on the floor slab or are recessed into a pit.

Note: We recommend that you conduct a demonstration requiring all installers to participate in for the first shower unit installation to insure the remainder are installed properly.

I. Carefully move the shower adjacent to the installation area. Use care to avoid excessive flexing to avoid cracking



MAAX®

Enjoy the experience

One Piece ADA/Barrier Free Showers

36" ADA AcrylX™ Transfer Showers

60" ADA AcrylX™ Roll-In Showers

Installation Instructions

the surface. Transport with a hand cart or carry the unit. Never drag the shower along the ground or floor.

2. Remove protective wood strips and cardboard used for shipping purposes.
3. Carefully tilt shower against a stud wall and remove the shipping and handling blocks from the underside of the shower.
4. Install no-caulk drain fitting. Do not install drain until shower is to be immediately installed. The shower should never be stood up right on a flat floor surface with drain attached. This will warp the shower and may void the warranty. (See Figure 7)
5. Prepare the drain pipe to receive the drain fitting.
6. Clean the installation area and underside of shower. make sure the floor is free of grease, water and other contaminants that may affect adhesion.
7. Trial fit the shower in the framing enclosure. carefully tilt the shower into the installed location. If installing into a pit, avoid dropping the shower. Level the shower and check the fit. Draw a line along the floor at the front of the shower. This will assist in locating the 100% silicone and mortar for the final installation. Note any adjustments to the framing at this time. Carefully remove the shower. Do not allow the shower to stand up on the drain fitting. If required, make adjustments to the framing.

Note: Trial fitting the unit before the wet adhesive and mortar is in place under the unit is a very worth while step. It is important to resolve any framing issues before the wet support materials are in place to avoid making a big mess of the project. Prepare to apply the Thin-Set mortar. Note the importance of applying the proper amount of Thin-Set. To have a successful installation, the Thin-Set must be in Full Contact with the bottom of the shower. Do not apply an excessive amount of Thin-Set. The void under the shower can be greater than 1/2" to as little as 1/16" depending on the model, threshold height and job site conditions.

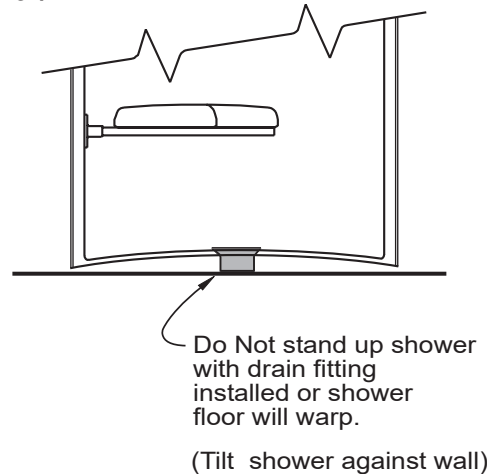
YOUR MISSION IS TO INSTALL PROPERLY AND MAINTAIN WARRANTY.

FILL ENTIRE VOID BETWEEN BOTTOM OF UNIT AND SUB FLOOR.

MAINTAIN FACTORY 2% SLOPE OR FALL TO THE DRAIN.

Excessive bedding compound will create high spots pushing the floor up causing the units to drain improperly.

Figure 7



8. Mix "Thin Set" non-shrinking bedding compound into a thin soup like slurry.
9. (See Figure 8) Apply a 3/4" to 1" wide bead of polyurethane adhesive across the area of the sub floor where the threshold will rest. This will assist in adhering the bottom of the threshold to the sub floor.
10. (See Figure 9, Pictures 2 & 3) Apply the "Thin Set" a shovel full at a time using a notched trowel estimating the amount needed to COMPLETELY fill the void between the floor and the unit. Use care not to disturb the bead of silicone.
11. Stand shower up right. If necessary, place a hammer handle into the drain pipe to guide it into the drain fitting. If installing the shower into a pit, use great care not to drop the shower, but lower it into the installed position with care. Do not tighten drain to waste pipe until after braces are removed in step 20.
12. With the shower in the installed location, leveled and plumb, note if any high spots or bulges are present in the floor or along the threshold. Bulges would indicate excessive Thin-Set. If the bottom edge of the shower threshold is not in contact with the sub floor, this also indicates excessive Thin-set. (See Picture 4) Note if these conditions are present before tilting the shower forward, as indicated in the next step.
13. CAREFULLY, tilt shower unit forward to inspect bottom to ensure full contact between shower bottom



Enjoy the experience

One Piece ADA/Barrier Free Showers

36" ADA AcrylX™ Transfer Showers

60" ADA AcrylX™ Roll-In Showers

Installation Instructions

and Thin-Set. Add Thin-Set until proper contact is achieved. If bulges were noted, or if the shower will not contact the sub floor, remove excessive Thin-Set. Use care to not remove TOO much Thin-set.

14. CAREFULLY, tilt shower unit back into the installed location. Make sure it is level and plumb.

15. STOP and perform the following Checks Vital To Proper Installation And Warranty:

- Check Floor for voids (if voids found, add more Thin Set)
- Check Floor for high spots (if high spots found, remove some Thin Set)
- Check Floor for slope or fall to the drain (Place small plumbers level from all sides of drain. See Figure 10)
- Check Unit threshold has remained flat to sub-floor with no bowing or voids (if bowed remove obstruction and reset).

16. Use a torpedo level to check the shower floor to assure it has maintained factory slope to the drain, with no high or low spots that would prevent proper drainage. Correct these conditions if necessary.

17. Secure the unit permanently to the studs. Screws are required. Do not use nails.

18. Prepare and install ceiling brace. Measure and install 2 x 4 brace between ceiling and a wood block placed directly over the center of the drain, being careful not to scratch or damage the unit (See Figure 11). Carefully hammer and wedge brace into upright position pushing the drain area down into its proper position to achieve the correct slope ensuring proper drainage. Install brace on center of threshold in the same manner, if required. (See Picture 5)

19. Test the floor slope for proper drainage around the perimeter of the drain with a plumbers level or by pouring water around the perimeter of the shower floor. If the floor is firm with slope to the drain, your warranty is intact, you can leave the shower.

20. Remove braces after the bedding compound and adhesive has cured, (72 hours) checking floor again for high spots to ensure the slope has not been violated. Tighten connection to drain and waste pipe after braces have been removed.

NOTE: All shower units are thoroughly tested to ensure the ability to drain water. Several tests are performed on each unit prior to it leaving the factory. Failure to follow the attached handling instructions and above installation procedures may cause improper drainage thus voiding the warranty. It is advised that all curb-less shower units should be fitted with water dam

Figure 8

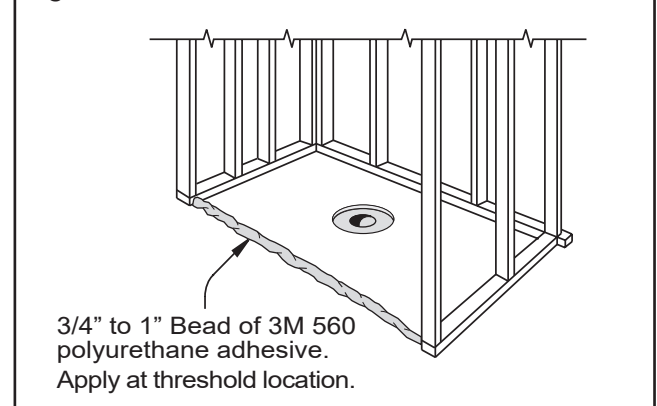
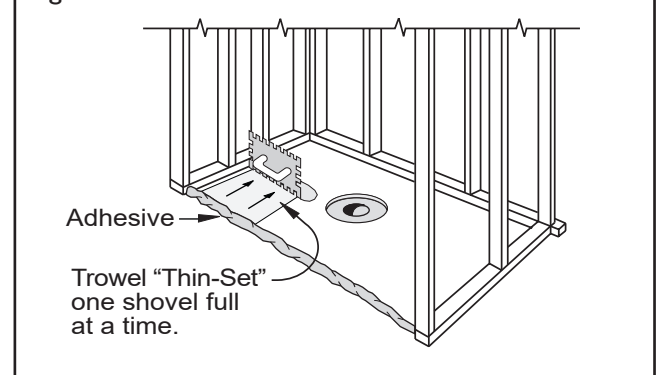


Figure 9



Picture 2



MAAX[®]

Enjoy the experience

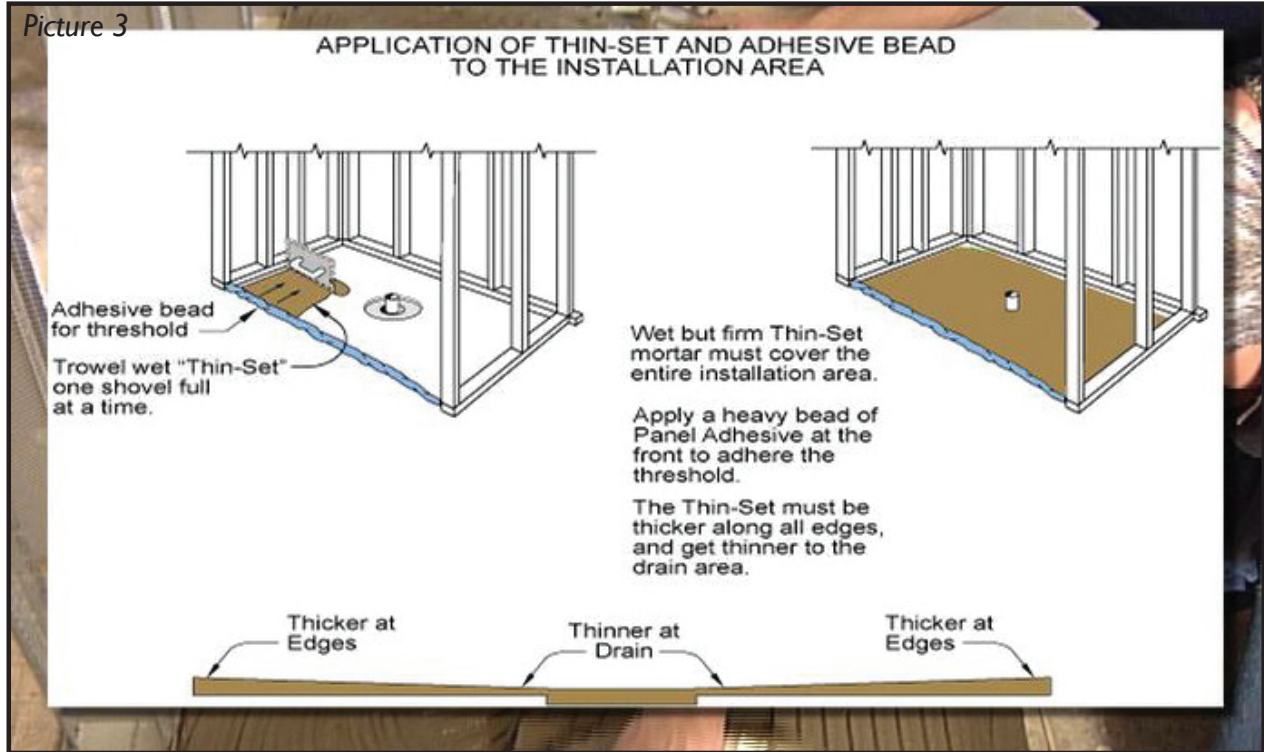
One Piece ADA/Barrier Free Showers

36" ADA AcrylX™ Transfer Showers

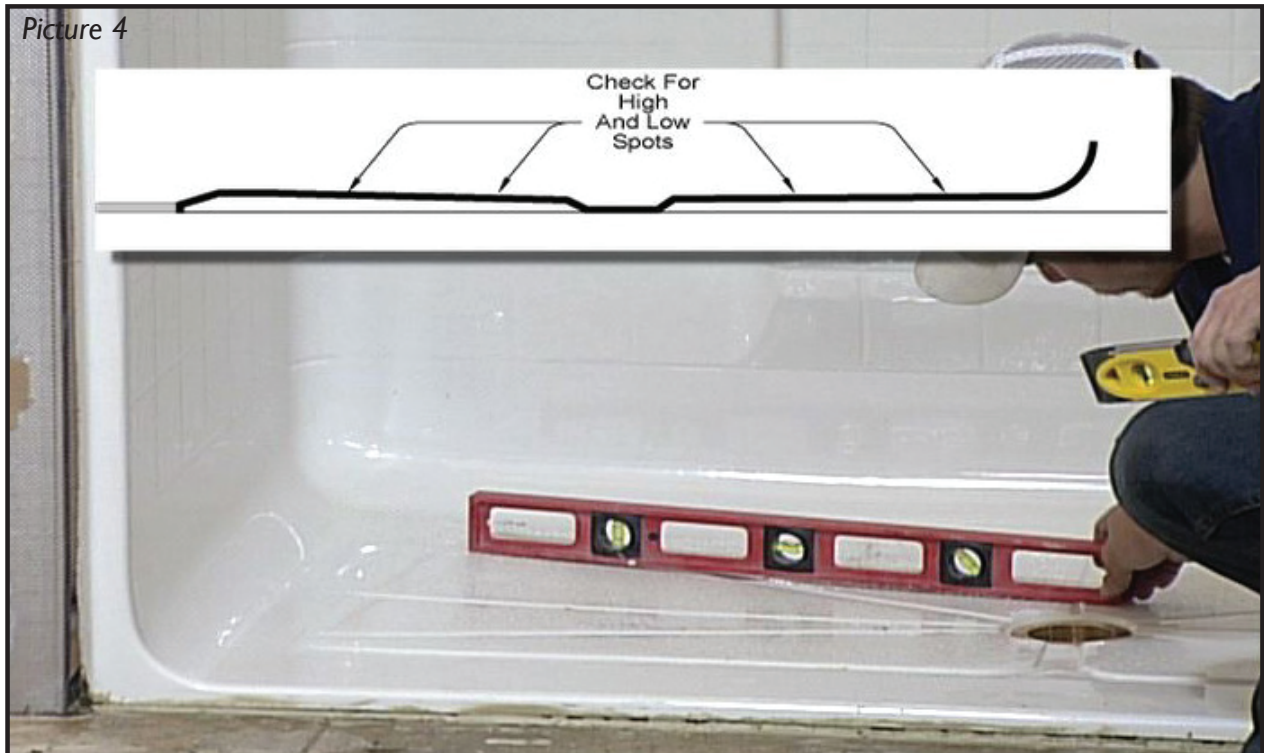
60" ADA AcrylX™ Roll-In Showers

Installation Instructions

Picture 3



Picture 4





Enjoy the experience

One Piece ADA/Barrier Free Showers

36" ADA AcrylX™ Transfer Showers

60" ADA AcrylX™ Roll-In Showers

Installation Instructions

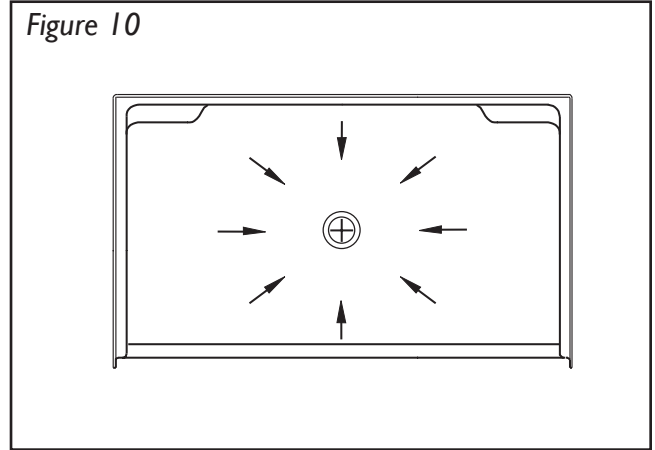
accessories such as a weighted curtain and/or collapsible or semi-permanent dam if the bath environment is not designed with an outside drain to catch any over spray of water that may escape the unit.

SHOWER FRAMING DIAGRAM

See Figure 15

Maax Bath is not responsible for the selection of placement of fittings that must adhere to ADA guidelines or any local codes. Installer is responsible for contacting local authorities for information regarding building or plumbing code requirements.

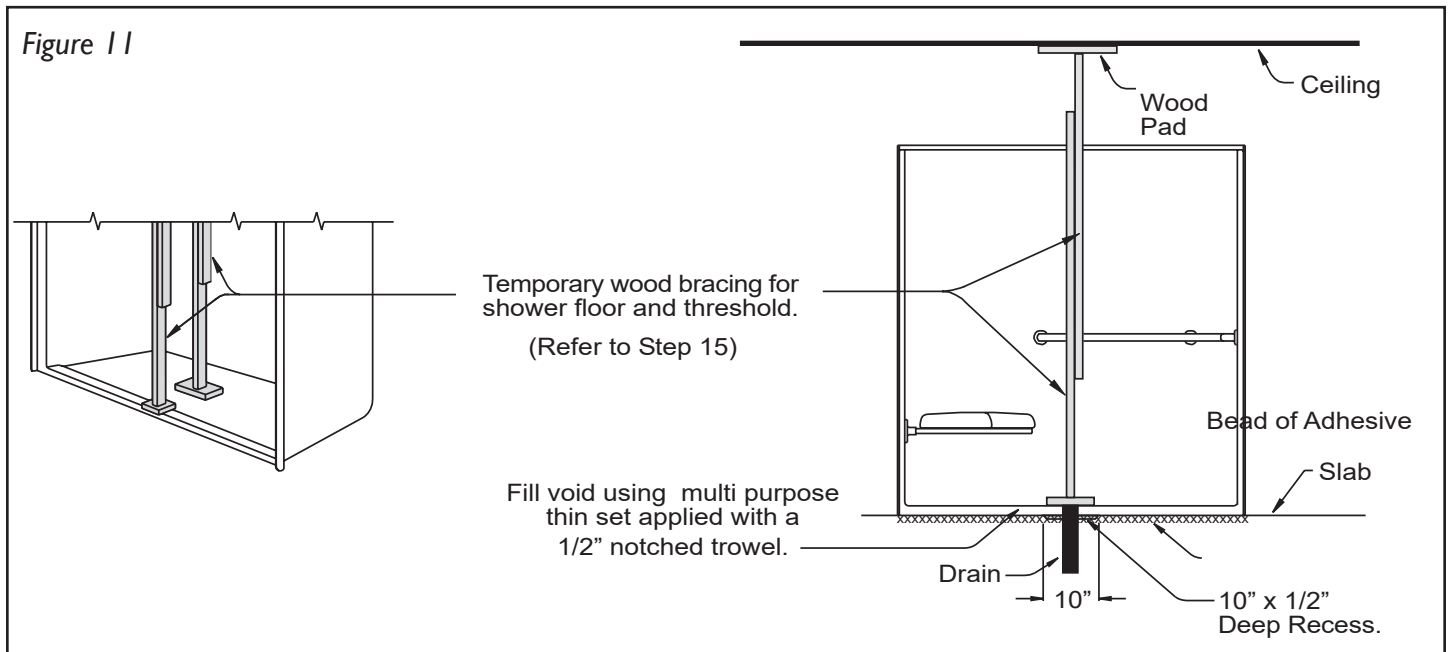
Figure 10



Picture 5



Figure 11



MAAX[®]

Enjoy the experience

One Piece ADA/Barrier Free Showers

36" ADA AcrylX™ Transfer Showers

60" ADA AcrylX™ Roll-In Showers

Installation Instructions

21. Drill 1/8" holes through the fastening flange at each framing member and every 8" along the front fastening flanges. Drill also through the flange aligned with the studs on the side and back walls. See Figure 12.

22. Secure the unit in place across the back wall first, followed by the flanges at each end and along the front flanges, using 1-1/4" screws. Continuously check to confirm the unit remains square within the alcove as it is being secured. (Hand tighten only). DO NOT OVER-TIGHTEN SCREWS. See Figure 13.

23. Finishing panels (plasterboard, ceramic tile, etc.) should completely cover the fastening flange. The joint between the wall panels and the finishing panels can be covered with a joint compound, a plastic stripe or a tile strip. See Figure 14a and 14b.

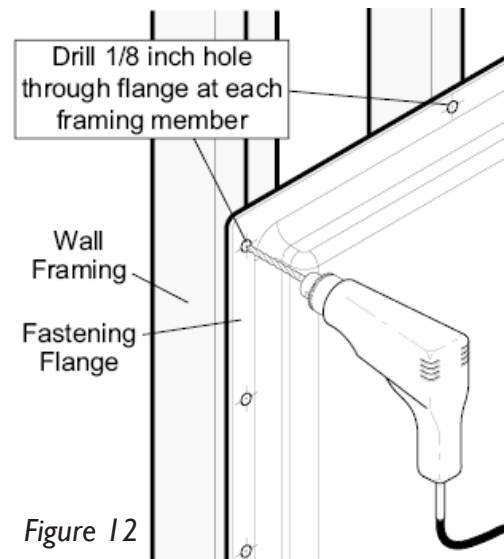


Figure 12

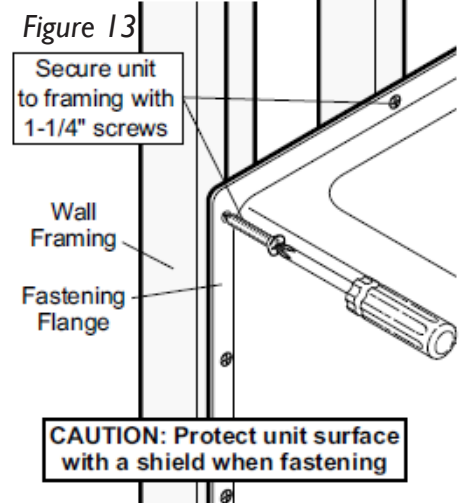
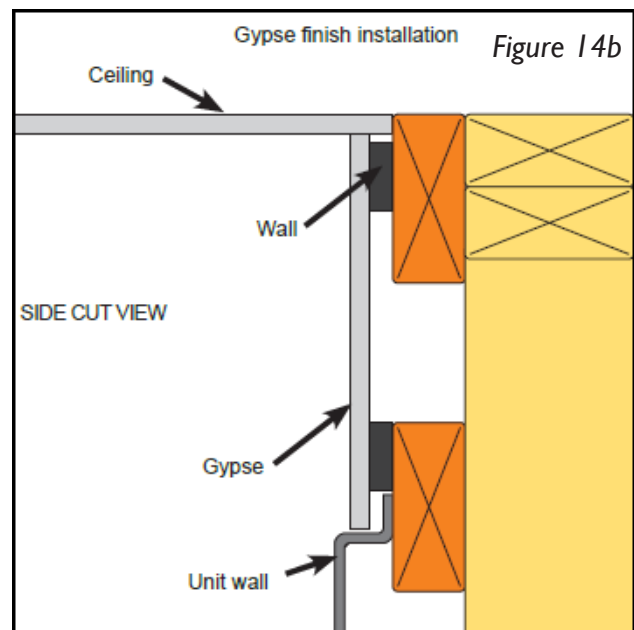
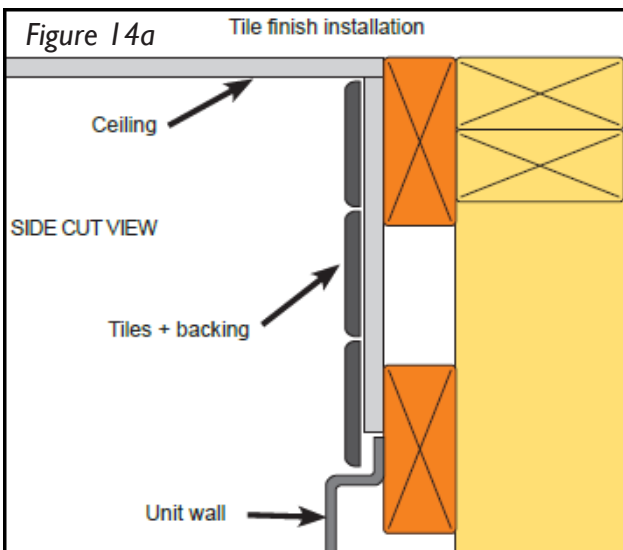


Figure 13

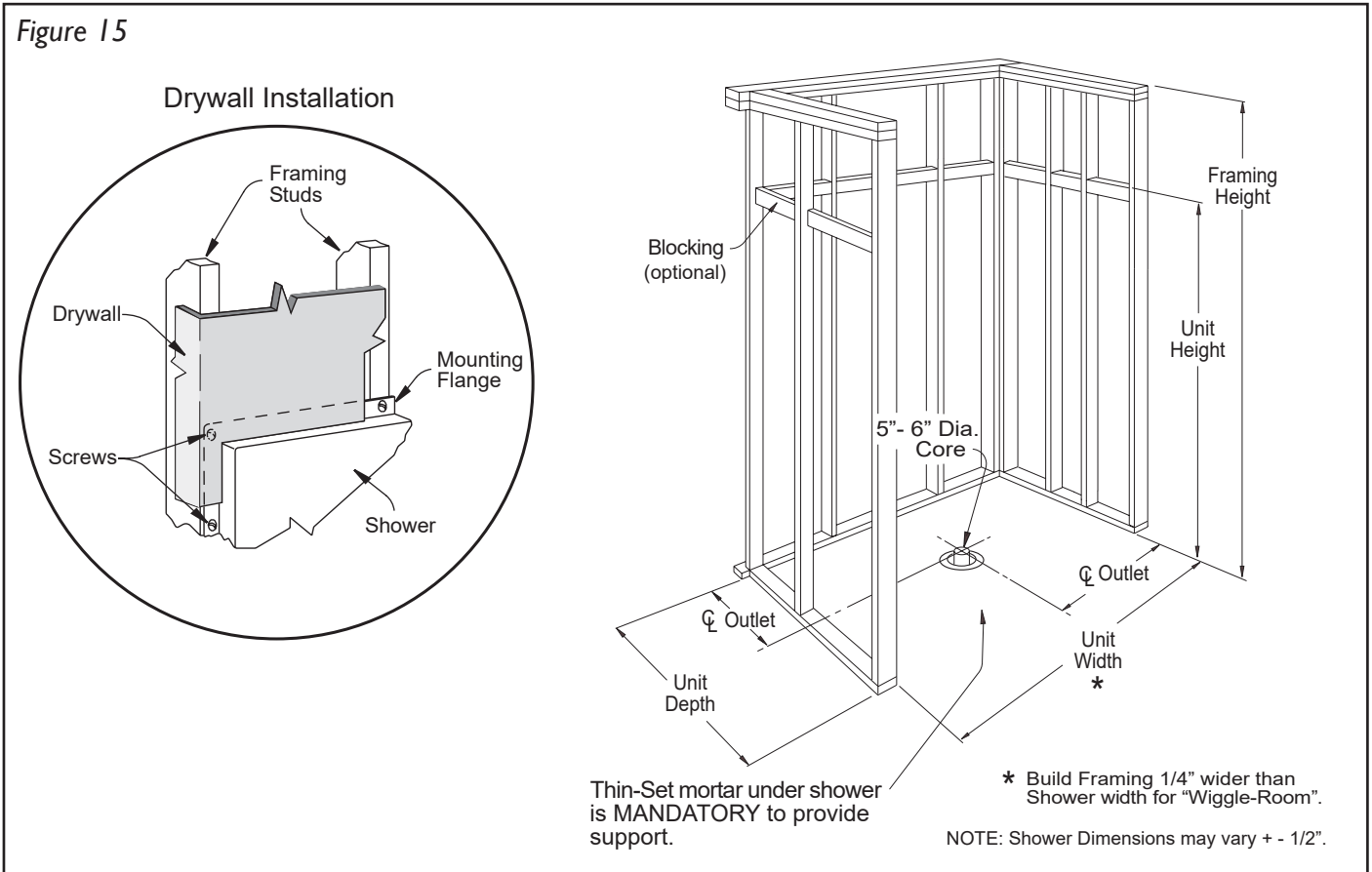


MAAX[®]

Enjoy the experience

One Piece ADA/Barrier Free Showers 36" ADA AcrylX™ Transfer Showers 60" ADA AcrylX™ Roll-In Showers Installation Instructions

Figure 15



DO NOT USE ABRASIVE CLEANERS

The most important caution is to avoid use of harsh abrasive cleaners or gritty scouring powders. To clean the unit, simply use a household liquid detergent with soft sponge cloth and warm water. More persistent stains, tar, or paint can be removed with naphtha or mineral spirits. Remove excess plaster by scraping with a sharpened soft wood stick. Avoid wire brushes, metal scrapers or tools. Restore dull areas by rubbing with automotive type body cleaning compound.

© 2018, MAAX Bath

Customer Service: 1-877-438-6229

www.maax.com

10038625 2018-07-30

LIMITED WARRANTY — UNITED STATES

MAAX Bath Inc. offers express limited warranty on each of its products. This warranty extends only to the original owner/end-user for personal household use. For commercial uses, additional limitations apply.

For accessing product Limited warranty please visit:

www.maax.com/us-warranty

LIMITED WARRANTY — CANADA

MAAX Bath Inc. offers express limited warranty on each of its products. This warranty extends only to the original owner/end-user for personal household use. For commercial uses, additional limitations apply.

For accessing product Limited warranty please visit:

www.maax.com/ca-warranty

GARANTIE LIMITÉE — CANADA

MAAX Bath Inc. offre une garantie limitée expresse sur chacun de ses produits. Cette garantie s'adresse uniquement au propriétaire/utilisateur original pour un usage personnel domestique. Des restrictions additionnelles s'appliquent aux utilisations commerciales

Pour accéder à la garantie limitée de votre produit, veuillez consulter le site :

www.maax.com/garantie