

**Specification Submittal Data / Panasonic Ventilation Fan**

**Description:**

Ventilation fan/LED light shall be low voltage ceiling mount rated for continuous run. Fan shall be ENERGY STAR® rated and certified by the Home Ventilating Institute (HVI). Fan shall include energy efficient LED lighting. Evaluated by Underwriters Laboratories and conform to both UL and cUL safety standards.

**Motor/Blower:**

- Four-pole fully enclosed condenser motor rated for continuous operation.
- Power rating shall be 120 volts and 60 Hz.
- Fan shall be UL listed for tub/shower enclosure when GFCI protected and used in insulated ceiling (TYPE I.C.).
- Motor equipped with thermal-cut-off fuse.
- Removable, permanently lubricated, plug-in motor.

**Housing:**

- Rust proof epoxy and polyester resin coating, 26 gauge galvanized steel body.
- Integrated dual 4" or 6" diameter duct adapter.
- Metal flange around recessed light aperture helps provide an Air Barrier and assists with the decrease in leakage in the Building Envelope during blower door testing.
- Built in backdraft damper.
- Expandable extension bracket up to 24".
- Double hanger bar system allows for ideal positioning.

**Trim Ring:**

- Attractive design using Poly Pro material.
- Attaches directly to housing with torsion springs.



(1) 18 Watt GU24 base LED lamp, /2700 Kelvin Warm White/>92CRI/720 lumens/90 LPW/ ENERGY STAR 2.0 certified, GU24 base LED lamp, JA-8 compliant for CA Title 24 and Title 20, 25,000 rated average life.

**Light:**

- Includes (1) replaceable, 8W ENERGY STAR 2.0 certified, GU24 base LED lamp, JA-8 compliant for CA Title 24 and Title 20
- 2700 Kelvin Warm White/>92 CRI/720 lumens/90 LPW/25,000 hour rated average life.
- LED lamp is dimmable.
- FCC Part 15 compliant.

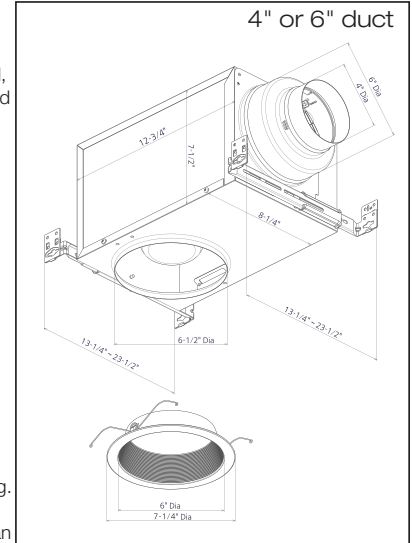
**Warranty:**

- ALL Parts: 3 Years from original purchase date.
- LED: 5 years from original purchase date.

**Architectural Specifications:**

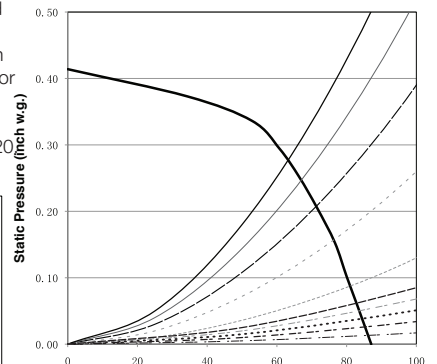
Ventilation fan and LED light combination shall be ceiling mount, ENERGY STAR® rated type, with no less than 80 CFM and no more than 1.0 sone as certified by the Home Ventilating Institute (HVI) at 0.1 w.g. with no less than 66 CFM and no more than 0.8 sone at .25 w.g. Power consumption shall be no greater than 18.5 watts at 0.1 w.g. and 17.6 Watts at 0.25 w.g. ENERGY STAR® rated with efficiency of no less than 4.4 CFM/watt at 0.1 w.g. and than 3.8 CFM/watt at 0.25 w.g. The motor shall be fully enclosed, four pole condenser type engineered to operate continuously. Power rating shall be 120v/60Hz. Duct diameter shall be no less than 4", inclusive of an integrated dual 4" or 6" duct adapter. Fan shall be UL and cUL listed for tub/shower enclosure when GFCI protected. Fan housing shall be Type IC. Fan can be used to comply with ASHRAE 62.2, LEED, CALGreen\*, ENERGY STAR®, Indoor airPlus, EarthCraft. Lamp shall be of the LED type and be no less than (1) 8W ENERGY STAR 2.0 certified, GU24 base LED lamp, JA-8 compliant for CA Title 24 and Title 20 LED lamp maintains 25,000 hours rated average life.

\*Can be used to comply with CALGreen when controlled by the Panasonic Condensation Sensor Plus.



FV-08VRE2

**Performance Curve 4" or 6" duct**



Specifications: <b>WhisperRecessedLED FV-08VRE2</b>	<b>4" or 6" Duct</b>	
Static Pressure in inches w.g.	0.1	0.25
Air Volume (CFM)	80	66
Noise (sones)	1.0	0.8
Power Consumption (watts)	18.5	17.6
Energy Efficiency (CFM/Watt)	4.4	3.8
Speed (RPM)	1342	1480
Current (amps)	0.15	0.15
MAX Current (amps)	0.19	
Power Rating (V/Hz)	120/60	
ENERGY STAR rated	YES	

0.25 = Installed Performance

Dimmer Switch Compatibility				
Brand	Series	Model	Load(LED)	Dimmability
Lutron	Skylark	CTCL-153P	150	OK
	Toggler	TGCL-153P	150	OK
	Diva	DVCL-153P	150	OK
	Maestro	MACL-153M	150	OK
	Ariadni	AYCL-153P	150	OK
Leviton	SureSlide	6674	150	OK

For complete Installation Instructions visit [us.panasonic.com/ventfans](http://us.panasonic.com/ventfans)

Model	Quantity	Comments	Project:
			Location:
			Architect:
			Engineer:
			Contractor:
			Submitted by:
			Date:

**Panasonic Life Solutions Company Of America**  
IAQ Division  
Two Riverfront Plaza  
Newark, NJ 07102

[us.panasonic.com/ventfans](http://us.panasonic.com/ventfans)



IAQ19059ST